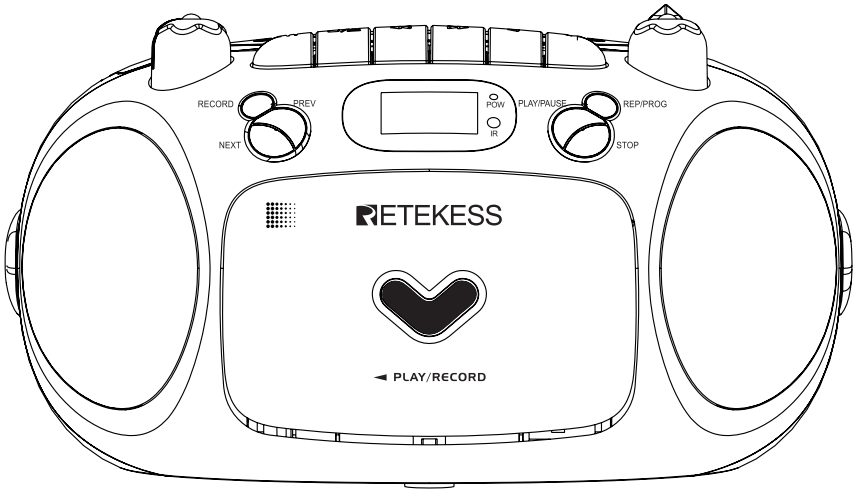


# RETEKESS



## TR630 CD Boombox User Manual

# CONTENTS

Features-----	01
Important Safety Instruction-----	01
Power Usage and Precautions-----	01
To Operate the Unit Using AC Power-----	01
Battery Operation-----	01
Precautions-----	01
Location of Controls-----	02
LCD Display-----	02
Remote Control-----	02
Remote Control Operation-----	03
CD / USB / TF card Playback Operation-----	03
Repeat Mode-----	03
Program Operation-----	03
USB/TF Card Recording Operation-----	03
Transferring music from cassette tape to USB device or TF card-----	03
Play Recording Files-----	03
Radio Operation-----	03
For Better Reception-----	03
Cassette Tape Player Operation-----	04
Record Operation-----	04
Other Operations-----	04
Care and Maintenance-----	04
Accessories-----	04
Specifications-----	04
DE(07-12)	
FR(13-19)	
IT(20-25)	
ES(26-31)	

EU Importer

Name: Germany Retevis Technology GmbH  
Address: Uetzenacker 29,38176 wendeburg

## Features

- CD/CD-R/RW/MP3 player
- USB/TF card input port
- Transferring music from a disc/cassette tape/external sound source to a USB device or TF card
- AM/FM band radio
- Cassette tape recording and playback

NOTE: PLEASE READ THE FOLLOWING INSTRUCTIONS CAREFULLY BEFORE OPERATING THIS EQUIPMENT.

1. Please follow the prescribed steps while using the CD player, or you may suffer from harmful radiation. This CD player is a CLASS 1 LASER (I class laser) products.



2. When the CD cover is opened or negligently closed, invisible laser light will be generated, the item need to avoid irradiation of the radiation beam.



3. Please do not touch the bald head at will, otherwise it will affect the playback performance.



## Important Safety Instruction

1. Do not use this product near water and moisture, for example: near a bathtub, washbowl, kitchen sink or laundry tub; in a wet basement; or near a swimming pool.
2. Do not install near any heat sources such as radiators, heat registers, stoves, or other apparatus (including amplifiers) that produce heat.
3. Do not block any ventilation openings. Slots and openings in the cabinet and in the back or bottom are provided for ventilation, to ensure reliable operation of the product and to protect it from overheating. These openings must not be blocked or covered. The openings should never be blocked by placing the product on a bed, sofa, rug, or other similar surfaces. This product should never be placed near or over a radiator or heat source.
4. Object and liquid entry. Never push objects of any kind into this product through openings as they may touch dangerous voltage points or short-out parts that could result in fire or electric shock. Never spill or spray any type of liquid on the product.
5. Unplug this product from the wall outlet before cleaning. Do not use liquid cleaners or aerosol cleaners. Only use a dry cloth for cleaning.
6. Only use attachments/ accessories specified by the manufacturer.

## Power Usage and Precautions

### Important

Before connecting AC power or installing batteries, make sure that the function switch is set to the off position. This machine can only connect or use the specified battery and AC household power.

### To Operate the Unit Using AC Power

Plug one end of the AC power cord into the AC power jack and the other end into a 220V household power outlet.

-When the AC plug was inserted into the AC IN Jack, the battery power will be cut off automatically.

-When the switch is in the off position, the power supply in the machine is not completely cut off, and the power supply can only be cut off completely by unplugging the power plug.

-When unplugging the AC power cord, you should hold the plug part instead of only pull the power cord.

-Never touch the AC power plug when your hands are wet. Otherwise it may cause fire or electric shock.

-Protect the power cord from being walked on or pinched particularly at plugs, convenience receptacles, and the point where they exit from the apparatus.

### Battery Operation

Install (or replace the batteries when it is drained) as below.

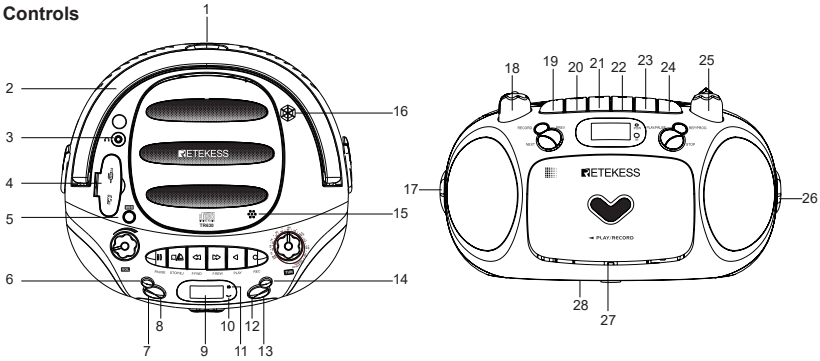
1. Slide the Battery Compartment (28) out then lift it off.
2. Insert 6\*1.5V um1 type batteries (not included) according to the polarity diagram inside the battery compartment.
3. Close the battery compartment.

### Precautions

1.Unplug the apparatus or remove the battery during lightning storms or when unused for long periods of time to prevent damage or injury from possible battery leakage.

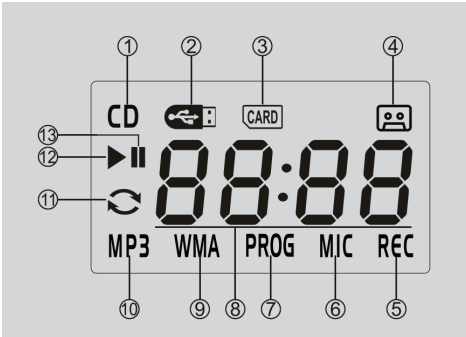
2. Do not mix different types of batteries together or old batteries with fresh ones. And the batteries must not be charged or heated. When removing the exhausted battery, if the battery leaks, remove the battery and wipe the liquid thoroughly. Waste batteries should be placed in officially designated recycling locations to avoid environmental pollution.
3. The battery life is limited for playing, please use AC power as much as possible.
4. When using batteries, the AC power cord must be unplugged from the unit. When the tape speed slows down, the volume decreases or the sound is distorted, please replace the batteries.
5. The battery (battery pack or assembled battery) should not be used in an overheated environment (such as direct sunlight, open flames or similar environments).

### Location of Controls



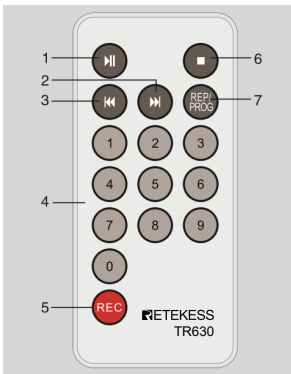
- |                          |                            |  |                                    |
|--------------------------|----------------------------|--|------------------------------------|
| 1.AC~ Socket (back side) | 8.Previous song button     | 15.CD door                             | 22.Fast backward button (Cassette) |
| 2.Carry handle           | 9.LCD display              | 16.FM Telescope Antenna                | 23.Play button (Cassette)          |
| 3.Headphone jack         | 10.Remote control receiver | 17.Function selector                   | 24.Record button (Cassette)        |
| 4.USB/TF card socket     | 11.Power indicator         | 18.Volume control knob                 | 25.Station selection knob          |
| 5.Bass button            | 12.Play/pause button       | 19.Pause button (Cassette)             | 26.Band selection button           |
| 6.Record button          | 13.Stop button             | 20.Stop/Cassette tape door open button | 27.Cassette tape door              |
| 7.Next song button       | 14.Repeat/program button   | 21.Fast forward button (Cassette)      | 28.Battery compartment (bottom)    |

### LCD Display



- 1.CD play mode
- 2.USB play mode
- 3.TF card play mode
- 4.Tape play mode
- 5.Recording mode
- 6.External recording mode
- 7.Program mode
- 8.Playing time
- 9.WMA format playback
- 10.MP3 format playback
- 11.Loop play
- 12.Play mode
- 13.Pause mode

### Remote Control



- 1.Play/pause button
- 2.Next song button
- 3.Previous song button
- 4.Number Keypad
- 5.Record button
- 6.Stop button
- 7.Repeat/program button



## Remote Control Operation

1. Play/Pause Button: During CD / USB / TF card playback, press this button to pause playback, and press this button again to resume playback
2. Next Song Button: In the state of playing CD / USB / TF card, press this key to select the next song to play
3. Previous Song Button: In the state of playing CD / USB / TF card, press this key to select the previous song to play
4. Number Keypad: When playing a CD / USB / TF card, you can use the numeric keys to select a specific song. e.g. if you want to play the 23th track, enter number "2" then "3", it will jump to this track to play
5. Record Button: Press this button to record or transferring music
6. Stop Button: In the state of playing CD / USB / TF card, press this button to stop playing.
7. Repeat/program button: During CD / USB / TF card playback, press this key to repeat a single track, folder or all tracks.  
(Note: You can enter the program model in stop state. The operation for remote control is same as the host)

## CD / USB / TF card Playback Operation

1. CD/MP3 playback: Slide the Function Selector (17) to CD position, open CD door(15) and place a CD disc on the center spindle with the correct direction, then close the door, it will be played after the detection is completed.
2. USB/TF card playback: Insert the USB / TF card that with MP3 format files into the USB / TF Card Socket (4), slide the Function Selector (17) to USB/TF card position, it will be played after the detection is completed. (Note: it does not support playback of WMA format files)
3. Press Play/Pause Button (12) to pause, press again to resume normal playback.
4. Turn the Volume Control Knob (18) to adjust volume level as desire.
5. Press the Previous Song Button (8) and Next Song Button (7) to select the track you want to play.
6. Press Stop Button (13) to stop playing.

## Repeat Mode

Press the Repeat Button(14) once to single song repeat mode, "↺" shows on display; Press the Repeat Button (14) again to folder repeat mode, "📁" shows on display; Press the Repeat Button(14) once again to full disc repeat mode, "🔄" flashes on the display. Press the Repeat Button(14) again to cancel the repeat mode.

## Program Operation

In the stop state, press the Program Button (14) to enter the program setting, press the Previous Song Button (8) and Next Song Button (7) to select the track you want to program, press the Program Button (14) to confirm, then press Play Button (12) to play the programmed tracks. Press Stop Button (13) to stop playing if needed.

Note:

- Do not use irregularly shaped laser discs, otherwise it will cause malfunctions.
- Do not put more than one disc in the CD compartment at the same time.
- Do not try to open the CD compartment door during playback.
- Do not touch the CD head, otherwise it will cause malfunction.

## USB/TF Card Recording Operation

### Transferring music from disc to USB device or TF card

1. Slide the Function Selector (17) to CD position.
2. Close the CD Door (15) after placing a CD disc on the center spindle with the correct direction, it will be played after the detection is completed.
3. Insert the USB / TF card that with MP3 format files into the USB / TF Card Socket (4).
4. Long press Record Button (6) to record the sound of the disc.
5. Long press the Record Button (6) again to exit the recording mode and return to the playback state.

### Transferring music from cassette tape to USB device or TF card

1. Slide the Function Selector (17) to Tape position.
2. Press Stop/Cassette Tape Door Open Button (20) to open the Cassette Tape Door (27) and put the tape to be recorded into the tape compartment correctly, then close the door.
3. Press Play Button (23) to start playing.
4. Long press Record Button (6) to record the sound of the cassette tape.
5. Long press the Record Button (6) again to exit the recording mode and return to the playback state.

## Record external sound source to USB device or TF card

1. Slide the Function Selector (17) to USB/TF position.
2. Insert the USB / TF card into the USB / TF Card Socket (4) to play the file.
3. Long press Record Button (6) to record the external audio source through the built-in microphone.
4. Long press the Record Button (6) again to exit the recording mode and return to the playback state.

## Play Recording Files

1. Slide the Function Selector (17) to USB/TF position.
2. Long press the Play/Pause Button (12) to switch to the mode of playing recording files.
3. Press the Previous Song Button (8) and Next Song Button (7) to select the recording file you want to play.

## Radio Operation

1. Slide the Function Selector (17) to Radio position to turn on the radio.
2. Press the Band Selection Button (26) repeatedly to select AM or FM band as desire.
3. Turn the Station Selection Knob (25) to select the desired station.
4. Turn the Volume Control Knob (18) to adjust volume level as desired.

### NOTE:

1. If the unit produces noise due to the influence of nearby appliances, (such as a TV, computer, or fluorescent light), you should move the unit to another place to listen to the radio.
2. When listening to FM radio, some frequencies may be interfered by the clock frequency.

## For Better Reception

### AM Band:

This unit has a built-in ferrite rod antenna, which provides adequate reception in most areas. If reception is weak, turn the unit to improve

reception.

#### FM Band:

The FM Telescopic Antenna is for FM reception only. If reception is weak, adjust the length and the angle of the antenna.

### Cassette Tape Player Operation

1. Slide the Function Selector (17) to Cassette Tape position.
2. Press the Stop/Cassette Tape Door Open Button (20) to open the Cassette Tape Door (27) and place a cassette tape in it correctly, then close the Cassette Tape Door (27).
3. Press Play Button (23) to play the track of the cassette tape.
4. Turn the Volume Control Knob (18) to adjust volume level as desire.
5. Press Stop/Cassette Tape Door Open Button (20) to stop the tape playback.
6. Press Play/Pause Button (19) to pause, press again to resume normal playback.
7. Press Fast Forward Button(21) or Fast Backward Button (22) to fast forward or rewind

### Record Operation

1. Press the Stop/Cassette Tape Door Open Button (20) to open the Cassette Tape Door (27) and place a cassette tape in it correctly, then close the Cassette Tape Door (27). Rewind the tape to the position where you want to start recording.
2. To record the sound of CD disc or USB / TF card, slide the Function Selector (17) to the position of CD or USB / TF card, then press Play Button (23) to play. To record radio station, slide the Function Selector (17) to the Radio Position and tune to the desired radio station.
3. Press the Record Button (23) to start recording, at this time the Play Button (23) will be pressed.
4. If you need to stop the recording, press Stop Button (20) will be OK.
5. To record an external audio source, slide the Function Selector (17) to the "Tape" position and press the Record Button (23) to record.

### Other Operations

Listen with Headphone: Using stereo headphone, insert it into the Headphone Jack (3).

If there is an error message on the display or other malfunctions of the device, please cut off the power and then restart the device

### Care and Maintenance

#### 1. Maintenance

Do not expose compact discs to direct sunlight, high humidity, high temperatures or dust, etc.

To prevent fire or shock hazards, disconnect your unit from the AC power source when cleaning. The finish on your unit may be cleaned with a dust cloth and cared for as other furniture. Use caution when cleaning and wiping the plastic parts.

#### 2. Head Cleaning

After every 10 hours of tape playback, you should clean the magnetic head and pinch the roller spindle. You should use cotton with a little cleaning fluid or alcohol for cleaning or use dry or wet cleaning tapes.

#### 3. To prevent accidental erase

After the recording is complete, use a screwdriver or other sharp tool to break the scratch-proof film on the tape to expose the scratch-proof hole.

#### 4. How to use the tape to record again

Cover the tape scratch-proof hole with adhesive tape, you can use the tape to record again.

### Accessories

1 x AC Power Cord

1 x Remote Control

1 x Owner's Manual

### Specifications

Power Source	AC110V~60Hz / 220V~50Hz
	DC 9V ( 6* 1.5V UM-1 batteries)
USB Outout	5V~0.5A
Output Power	2W+2W
Frequency Range	FM: 88-108MHz
	AM: 530-1600kHz
Tape Speed	4.76CM/S±3%
Wow and Flutter	≤0.4%
CD playback frequency response	50Hz-18kHz
Tape playback frequency response	100Hz-8kHz
Maximum power consumption	12W
Impedance of Speakers	3in, 6ohm
Size	262*243*151mm
Weight	1.98kg

# RF ENERGY EXPOSURE AND PRODUCT SAFETY GUIDE



Before using this radio, read this guide which contains important operating instructions for safe usage and rf energy awareness and control for compliance with applicable standards and regulations.

## Local Government Regulations

When radios are used as a consequence of employment, the Local Government Regulations requires users to be fully aware of and able to control their exposure to meet occupational requirements. Exposure awareness can be facilitated by the use of a product label directing users to specific user awareness information. Your Reteless radio has a RF Exposure Product Label. Also, your Reteless user manual, or separate safety booklet includes information and operating instructions required to control your RF exposure and to satisfy compliance requirements.

## Unauthorized modification and adjustment

Changes or modifications not expressly approved by the party responsible for compliance may void the user's authority granted by the local government radio management departments to operate this radio and should not be made. To comply with the corresponding requirements, transmitter adjustments should be made only by or under the supervision of a person certified as technically qualified to perform transmitter maintenance and repairs in the private land mobile and fixed services as certified by an organization representative of the user of those services.

Replacement of any transmitter component (crystal, semiconductor, etc.) not authorized by the local government radio management departments equipment authorization for this radio could violate the rules.

## FCC Requirements:

•This device complies with part 15 of the FCC Rules. Operation is subject to the following two conditions:

(1) This device may not cause harmful interference, and

(2) this device must accept any interference received, including interference that may cause undesired operation.

•(If applicable) This equipment has been tested and found to comply with the limits for a Class B digital device, pursuant to Part 15 of the FCC Rules. These limits are designed to provide reasonable protection against harmful interference in a residential installation.

This equipment generates uses and can radiate radio frequency energy and, if not installed and used in accordance with the instructions, may cause harmful interference to radio communications. However, there is no guarantee that interference will not occur in a particular installation. If this equipment does cause harmful interference to radio or television reception, which can be determined by turning the equipment off and on, the user is encouraged to try to correct the interference by one or more of the following measures:

-- Reorient or relocate the receiving antenna.

-- Increase the separation between the equipment and receiver.

-- Connect the equipment into an outlet on a circuit different from that to which the receiver is connected.

-- Consult the dealer or an experienced radio/TV technician for help.

## CE Requirements:

•(Simple EU declaration of conformity) Henan Eshow Electronic Commerce Co.,Ltd declares that the radio equipment type is in compliance with the essential requirements and other relevant provisions of RED Directive 2014/53/EU and the ROHS Directive 2011/65/EU and the WEEE Directive 2012/19/EU; the full text of the EU declaration of conformity is available at the following internet address: [www.reteless.com](http://www.reteless.com).

•Disposal

The crossed-out wheeled-bin symbol on your product, literature, or packaging reminds you that in the European Union, all electrical and electronic products, batteries, and accumulators (rechargeable batteries) must be taken to designated collection locations at the end of their working life. Do not dispose of these products as unsorted municipal waste. Dispose of them according to the laws in your area.



## IC Requirements:

Licence-exempt radio apparatus

This device contains licence-exempt transmitter(s)/receiver(s) that comply with Innovation, Science and Economic Development Canada's licence-exempt RSS(s). Operation is subject to the following two conditions:

(1) This device may not cause interference.

(2) This device must accept any interference, including interference that may cause undesired operation of the device.

Le présent appareil est conforme aux CNR d'Industrie Canada applicables aux appareils radio exempts de licence. L'exploitation est autorisée aux deux conditions suivantes :

(1) l'appareil ne doit pas produire de brouillage;

(2) l'utilisateur de l'appareil doit accepter tout brouillage radioélectrique subi, même si le brouillage est susceptible d'en compromettre le fonctionnement.

## RF Warning Statements

The device has been evaluated to meet general RF exposure requirement. The device can be used in portable exposure condition without restriction.

## RF Exposure Information(if appropriate)

•DO NOT operate the radio without a proper antenna attached, as this may damage the radio and may also cause you to exceed RF exposure limits. A proper antenna is the antenna supplied with this radio by the manufacturer or an antenna specifically authorized by the manufacturer for use with this radio, and the antenna gain shall not exceed the specified gain by the manufacturer declared.

•To avoid interference, turn off the radio in areas where signs are posted to do so.

•DO NOT operate the transmitter in areas that are sensitive to electromagnetic radiation such as hospitals, aircraft, and blasting sites.

## Avoid Choking Hazard



Small Parts. Not for children under 3 years.

## Protect your hearing:



**WARNING**

- Use the lowest volume necessary to do your job.
- Turn up the volume only if you are in noisy surroundings.
- Turn down the volume before adding headset or earpiece.
- Limit the amount of time you use headsets or earpieces at high volume.
- When using the radio without a headset or earpiece, do not place the radio's speaker directly against your ear
- Use careful with the earphone maybe possible excessive sound pressure from earphones and headphones can cause hearing loss

Note: Exposure to loud noises from any source for extended periods of time may temporarily or permanently affect your hearing. The louder the radio's volume, the less time is required before your hearing could be affected. Hearing damage from loud noise is sometimes undetectable at first and can have a cumulative effect.



## Approved Accessories



**WARNING**

- This radio meets the RF exposure guidelines when used with the Reteless accessories supplied or designated for the product. Use of other accessories may not ensure compliance with the RF exposure guidelines and may violate regulations.
- For a list of Reteless-approved accessories for your radio model, visit the following website: <http://www.Reteless.com>

## **Merkmale**

- CD / CD-R / RW / MP3-Player
- USB / TF-Karteneingabeport
- Übertragen von Musik von einem Disc / Kassettenband / externen Tonquelle auf ein USB-Gerät oder TF-Karte
- AM / FM-Bandradio
- Kassettenbandaufnahme und Wiedergabe

Hinweis: Bitte lesen Sie die folgenden Anweisungen sorgfältig durch, bevor Sie dieses Gerät tätigen.

1. bitte folgen Sie den vorgeschriebenen Schritten, während Sie den CD-Player verwenden, oder Sie können an schädlicher Strahlung leiden. Dieser CD-Player ist ein Laser-Laser-Laser-Laser-Produkte.



2. Wenn die CD-Abdeckung geöffnet oder fahrlässig geschlossen ist, wird ein unsichtbares Laserlicht erzeugt, der Gegenstand muss die Bestrahlung des Strahlungsstrahls vermeiden.



3. Bitte nicht den kahlköpfigen Kopf an der Wille berühren, andernfalls beeinflusst es die Wiedergabeleistung.



## **Wichtiger Sicherheitsunterricht**

1. Verwenden Sie dieses Produkt nicht in der Nähe von Wasser und Feuchtigkeit, zum Beispiel: In der Nähe einer Badewanne, Waschscheiben, Küchenspüle oder Waschküche; in einem nassen Keller; oder in der Nähe eines Schwimmbades.
2. Installieren Sie nicht in der Nähe von Wärmequellen wie Heizkörpern, Wärmeregister, Öfen oder anderen Vorrichtungen (einschließlich Verstärkern), die Wärme erzeugen.
3. Blockieren Sie keine Belüftungsöffnungen. Schlitz und Öffnungen im Schrank und in der Rückseite oder unten sind zur Belüftung vorgesehen, um einen zuverlässigen Betrieb des Produkts zu gewährleisten und vor Überhitzung zu schützen. Diese Öffnungen dürfen nicht blockiert oder abgedeckt werden. Die Öffnungen sollten niemals blockiert werden, indem das Produkt auf einem Bett, einem Sofa, einem Teppich oder anderen ähnlichen Flächen gebracht werden. Dieses Produkt sollte niemals in der Nähe oder über einen Kühler oder eine Wärmequelle platziert werden.
4. Objekt- und Flüssigkeitseintritt. Drücken Sie niemals Objekte jeglicher Art durch Öffnungen in dieses Produkt, da sie gefährliche Spannungspunkte oder kurzer Teile berühren können, die zu einem Brand- oder Stromschlag führen können. Verschütten Sie niemals oder sprühen Sie niemals jede Art von Flüssigkeit auf das Produkt.
5. Inplugh Dieses Produkt aus dem Steckdose vor der Reinigung. Verwenden Sie keine Flüssigkeitsreiniger oder Aerosolreiniger. Verwenden Sie nur ein trockenes Tuch zur Reinigung.
6. Verwenden Sie anhand des Herstellers angegebene Anhänge / Zubehör.

## **Stromverbrauch und Vorsichtsmaßnahmen**

### **Wichtig**

Stellen Sie vor dem Anschließen der Wechselstrom- oder Installation von Batterien sicher, dass der Funktionsschalter auf die AUS-Position eingestellt ist. Diese Maschine kann nur die angegebene Batterie- und Wechselstromleistung anschließen oder verwenden.

### **So bedienen Sie das Gerät mit AC Power**

Stecken Sie ein Ende des Netzkabels des Wechselstromkabels in die Wechselstrombuchse und das andere Ende in eine 220V-Haushaltsstromauslassung.

- Wenn der AC-Stecker in den Wechselstrom in Buchse eingefügt wurde, wird die Batterieleistung automatisch abgeschnitten.

- Wenn sich der Schalter in der AUS-Position befindet, wird die Stromversorgung in der Maschine nicht vollständig abgeschnitten, und die Stromversorgung kann nur vollständig abgeschnitten werden, indem der Netzstecker den Netzstecker trennen kann.

-Wenn das Netzkabel trennen, sollten Sie das Steckerteil halten, anstatt das Netzkabel zu ziehen.

-Nerkt nicht den Netzstecker berühren, wenn Ihre Hände nass sind. Andernfalls kann es Feuer- oder Stromschlag verursachen.

-Protectieren Sie das Netzkabel, das besonders an Stopfen, Convenience-Aufnahmen und dem Punkt geklemmt wird, und dem Punkt, an dem sie sich aus dem Gerät verlassen.

### **Batteriebetrieb**

Installieren (oder tauschen Sie die Batterien aus, wenn sie abgelassen wird) wie unten.

1. Schieben Sie das Batteriefach (28), dann heben Sie ihn ab.
2. Einfügen von 6 \* 1,5 V UM1-Batterien (nicht inbegriffen) gemäß dem Polaritätsdiagramm innerhalb des Batteriefachs.

### 3. Schließen Sie das Batteriefach.

#### Vorsichtsmaßnahmen

1. Unplug den Apparat oder entfernen Sie die Batterie während der Blitzstürme oder bei nicht mehrerer Zeit, um Schäden oder Verletzungen von möglichem Batterieleck zu vermeiden.

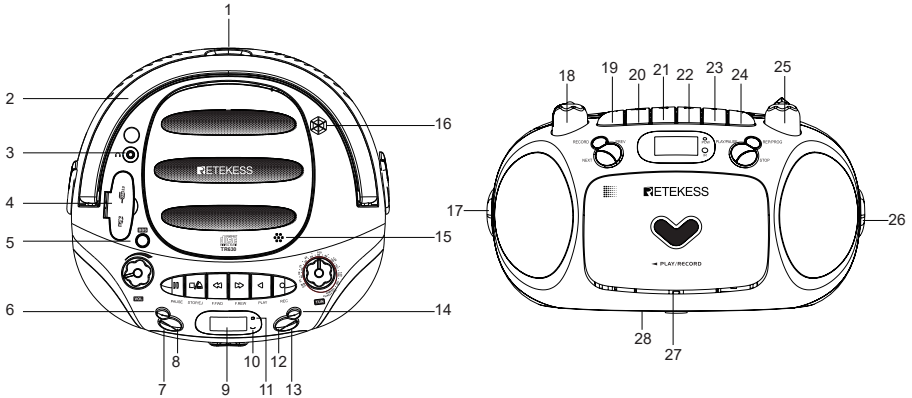
2. Mischen Sie verschiedene Arten von Batterien nicht zusammen oder alte Batterien mit frischen Batterien. Und die Batterien dürfen nicht aufgeladen oder erhitzt werden. Entfernen Sie beim Entfernen der erschöpften Batterie, wenn die Batterie ausläuft, die Batterie entfernen und die Flüssigkeit gründlich abwischen. Müllbatterien sollten in offiziell festgelegten Recyclingorten platziert werden, um Umweltschmutzung zu vermeiden.

3. Die Akkulaufzeit ist für das Spielen begrenzt, bitte verwenden Sie die Wechselstrom so viel wie möglich.

4. Wenn die Batterien mit Batterien verwendet werden, muss das Netzkabel aus dem Gerät getrennt werden. Wenn sich die Bandgeschwindigkeit verlangt, nimmt das Volumen ab oder der Ton ist verzerrt, bitte ersetzen Sie die Batterien

5. Die Batterie (Batteriepack oder Montagebatterie) sollte nicht in einer überhitzten Umgebung (z. B. direkter Sonneneinstrahlung, offenen Flammen oder ähnlichen Umgebungen) verwendet werden.

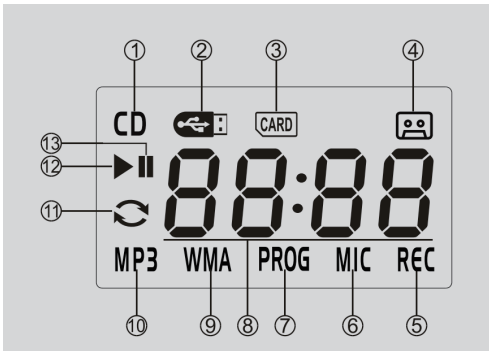
### Standort der Kontrollen



- 1.AC ~ Sockel (Rückseite)
2. Carry-Griff
- 3.Headphone-Buchse
- 4.USB / TF-Kartenbuchse
- 5.Bass-Taste
- 6.Record-Taste
- 7.Nächste Song-Taste
- 8.Vorviöse Song-Taste
- 9.LCD-Anzeige
- 10.Remote-Steuerungsempfänger.
- 11.POWER-Anzeige
- 12.Play/Pause-Taste
- 13.StOP-Taste
- 14.Reat / Programm-Taste

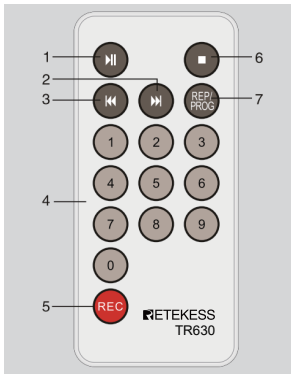
- 15.CD-Tür
- 16.fm Teleskopantenne
- 17.Funktionswahlschalter
- 18.Volume-Steuerknopf
- 19.Pause-Taste (Kassette)
- 20.Stop / Kassettenbandtür-Taste
- 21.schnelle Forward-Taste (Kassette)
- 22.schnelle Rückwärts-Taste (Kassette)
- 23.Play-Taste (Kassette)
- 24.Record-Taste (Kassette)
- 25.Station-Auswahlknopf
- 26.Bands-Auswahlknopf
- 27.Kassettenbandtür
- 28.Battery-Kompartiment (unten)

### LCD Bildschirm



- 1.CD-Wiedergabemodus
- 2.USB-PLAY-MODE
- 3.TF-Kartenspielmodus
- 4.Tape-Wiedergabemodus
- 5.Recording-Modus
- 6.Externaler Aufnahmemodus
- 7.Program-Modus
8. Spielzeit
- 9.WMA-Format Wiedergabe
- 10.MP3-Format-Wiedergabe
- 11.loopsspiel
- \* Einzelner Song-Wiederholungsmodus
- \* Ordner-Wiederholungsmodus
- \* Blinkt für den Full-Disc-Wiederholungsmodus
- 12.Play-Modus
- 13.Pause Modus

## Fernbedienung



1. Play/pause-Taste
2. Nächster Song-Button
3. Schaltfläche für das vorherige Lied
4. Zahrentastatur
5. Aufnahmetaste
6. Stopp-Taste
7. Wiederholungs-/Programmirtaste

### Fernbedienungsbetrieb

1. Play/Pause-Taste: Drücken Sie diese Taste während der CD-/USB-/TF-Kartenwiedergabe, um die Wiedergabe zu unterbrechen, und drücken Sie diese Taste erneut, um die Wiedergabe fortzusetzen
2. Nächster Song-Taste: Drücken Sie diese Taste während der Wiedergabe einer CD / USB / TF-Karte, um den nächsten Song zum Abspielen auszuwählen
3. Taste für den vorherigen Song: Drücken Sie diese Taste im Zustand der Wiedergabe einer CD / USB / TF-Karte, um den vorherigen Song zum Abspielen auszuwählen
4. Ziffernblock: Beim Abspielen einer CD / USB / TF-Karte können Sie mit den Zifferntasten einen bestimmten Song auswählen. Wenn Sie z. B. den 23. Titel abspielen möchten, geben Sie die Nummer "2" und dann "3" ein, um zu diesem Titel zu springen, um ihn abzuspielen
5. Aufnahmetaste: Drücken Sie diese Taste, um Musik aufzunehmen oder zu übertragen
6. Stopp-Taste: Drücken Sie diese Taste während der Wiedergabe von CDs / USB- / TF-Karten, um die Wiedergabe zu stoppen.
7. Wiederholen-/Programmieren-Taste: Drücken Sie diese Taste während der CD-/USB-/TF-Kartenwiedergabe, um einen einzelnen Titel, Ordner oder alle Titel zu wiederholen.  
(Hinweis: Sie können das Programmmodell im Stoppzustand eingeben. Die Bedienung für die Fernbedienung ist dieselbe wie für den Host)

### CD-/USB-/TF-Karten-Wiedergabebetrieb

1. CD/MP3-Wiedergabe: Schieben Sie den Funktionswähler (17) in die CD-Position, öffnen Sie die CD-Tür (15) und legen Sie eine CD-Disc mit der richtigen Richtung auf die Mittelwelle, dann schließen Sie die Tür, sie wird nach der Erkennung abgespielt abgeschlossen.
2. USB / TF-Kartenwiedergabe: Stecken Sie die USB / TF-Karte mit Dateien im MP3-Format in die USB / TF-Kartenbuchse (4), schieben Sie den Funktionswähler (17) auf die USB / TF-Kartenposition die Erkennung ist abgeschlossen. (Hinweis: Die Wiedergabe von Dateien im WMA-Format wird nicht unterstützt.)
3. Drücken Sie die Play/Pause-Taste (12), um die Wiedergabe zu unterbrechen, drücken Sie sie erneut, um die normale Wiedergabe fortzusetzen.
4. Drehen Sie den Lautstärkeregler (18), um die Lautstärke wie gewünscht einzustellen.
5. Drücken Sie die Taste "Vorheriger Song" (8) und "Nächster Song" (7), um den Titel auszuwählen, den Sie abspielen möchten Drücken Sie die Stoppaste (13), um die Wiedergabe zu stoppen.

### Wiederholungsmodus

Drücken Sie die Wiederholungstaste (14) einmal, um den Einzellied-Wiederholungsmodus zu aktivieren, "🔄" wird auf dem Display angezeigt; Drücken Sie die Wiederholungstaste (14) erneut, um den Ordner-Wiederholungsmodus zu aktivieren, "🔄" wird auf dem Display angezeigt; Drücken Sie die Wiederholungstaste (14) noch einmal, um den vollständigen Disc-Wiederholungsmodus zu aktivieren, "🔄" blinkt auf dem Display. Drücken Sie die Wiederholungstaste (14) erneut, um den Wiederholungsmodus abzubrechen.

### Programmbetrieb

Drücken Sie im Stoppzustand die Programmtaste (14), um die Programmeinstellung aufzurufen, drücken Sie die Taste "Vorheriger Song" (8) und "Nächstes Lied" (7), um den zu programmierenden Titel auszuwählen, drücken Sie die Taste "Programm" (14), um Bestätigen Sie, und drücken Sie dann die Wiedergabetaste (12), um die programmierten Titel abzuspielen. Drücken Sie die Stoppaste (13), um die Wiedergabe bei Bedarf zu stoppen.

#### Notiz:

- Verwenden Sie keine unregelmäßig geformten Laserdiscs, da es sonst zu Fehlfunktionen kommen kann
- Legen Sie nicht mehr als eine Disc gleichzeitig in das CD-Fach ein.
- Versuchen Sie nicht, die CD-Fachtür während der Wiedergabe zu öffnen.
- Berühren Sie nicht den CD-Kopf, da es sonst zu Fehlfunktionen kommt.

### Aufnahmebetrieb auf USB/TF-Karte

Übertragen von Musik von einer Disc auf ein USB-Gerät oder eine TF-Karte

1. Schieben Sie den Funktionswähler (17) in die CD-Position.
2. Schließen Sie die CD-Klappe (15), nachdem Sie eine CD-Disc in der richtigen Richtung auf die Mittelwelle gelegt haben. Sie wird nach Abschluss der Erkennung abgespielt.
3. Stecken Sie die USB / TF-Karte mit Dateien im MP3-Format in den USB / TF-Kartensteckplatz (4).
4. Drücken Sie lange auf die Aufnahmetaste (6), um den Ton der Disc aufzunehmen.
5. Drücken Sie die Aufnahmetaste (6) erneut lange, um den Aufnahmezustand zu verlassen und zum Wiedergabestatus zurückzukehren.

### Übertragen von Musik von Kassette auf ein USB-Gerät oder eine TF-Karte

Übertragen von Musik von einer Disc auf ein USB-Gerät oder eine TF-Karte

1. Schieben Sie den Funktionswähler (17) in die CD-Position.
2. Schließen Sie die CD-Klappe (15), nachdem Sie eine CD-Disc in der richtigen Richtung auf die Mittelwelle gelegt haben. Sie wird nach Abschluss der Erkennung abgespielt.
3. Stecken Sie die USB / TF-Karte mit Dateien im MP3-Format in den USB / TF-Kartensteckplatz (4).
4. Drücken Sie lange auf die Aufnahmetaste (6), um den Ton der Disc aufzunehmen.
5. Drücken Sie die Aufnahmetaste (6) erneut lange, um den Aufnahmemodus zu verlassen und zum Wiedergabestatus zurückzukehren

### **Nehmen Sie eine externe Tonquelle auf ein USB-Gerät oder eine TF-Karte auf**

1. Schieben Sie den Funktionswähler (17) in die USB/TF-Position.
2. Stecken Sie die USB / TF-Karte in den USB / TF-Kartensteckplatz (4), um die Datei abzuspielen.
3. Drücken Sie lange auf die Aufnahmetaste (6), um die externe Audioquelle über das eingebaute Mikrofon aufzunehmen.
4. Drücken Sie die Aufnahmetaste (6) erneut lange, um den Aufnahmemodus zu verlassen und zum Wiedergabestatus zurückzukehren

### **Aufnahmedateien abspielen**

1. Schieben Sie den Funktionswähler (17) in die USB/TF-Position.
2. Drücken Sie lange auf die Play/Pause-Taste (12), um in den Modus zum Abspielen von Aufnahmedateien zu wechseln.
3. Drücken Sie die Taste „Vorheriger Song“ (8) und „Nächster Song“ (7), um die Aufnahmedatei auszuwählen, die Sie abspielen möchten

### **Funkbetrieb**

1. Schieben Sie den Funktionswähler (17) auf die Position Radio, um das Radio einzuschalten.
2. Drücken Sie die Bandauswahltaaste (26) wiederholt, um das AM- oder FM-Band wie gewünscht auszuwählen.
3. Drehen Sie den Senderauswahlknopf (25), um den gewünschten Sender auszuwählen.
4. Drehen Sie den Lautstärkeregler (18), um die Lautstärke wie gewünscht einzustellen.

#### **HINWEIS:**

1. Wenn das Gerät durch den Einfluss von Geräten in der Nähe (wie Fernseher, Computer oder Leuchtstoffröhren) Geräusche erzeugt, sollten Sie das Gerät an einen anderen Ort stellen, um Radio zu hören.
2. Beim Hören von UKW-Radio können einige Frequenzen durch die Taktfrequenz gestört werden.

### **Für besseren Empfang**

#### **AM-Band:**

Dieses Gerät verfügt über eine eingebaute Ferrit-Stubantenne, die in den meisten Gebieten ausreichenden Empfang bietet. Wenn der Empfang schwach ist, drehen Sie das Gerät, um den Empfang zu verbessern.

#### **FM-Band:**

Die FM-Teleskopantenne ist nur für den FM-Empfang vorgesehen. Passen Sie bei schwachem Empfang Länge und Winkel der Antenne an.

### **Betrieb des Kassettensrecorders**

1. Schieben Sie den Funktionswähler (17) in die Kassettenposition.
2. Drücken Sie die Stopp-/Kassettenür-Öffnen-Taste (20), um die Kassettenür (27) zu öffnen, und legen Sie eine Kassette richtig ein, dann schließen Sie die Kassettenür (27).
3. Drücken Sie die Wiedergabetaste (23), um den Titel der Kassette abzuspielen.
4. Drehen Sie den Lautstärkeregler (18), um die Lautstärke nach Wunsch einzustellen.
5. Drücken Sie die Taste Stop/Cassette Tape Door Open (20), um die Bandwiedergabe zu stoppen.
6. Drücken Sie die Play/Pause-Taste (19), um die Wiedergabe zu unterbrechen, drücken Sie sie erneut, um die normale Wiedergabe fortzusetzen.
7. Drücken Sie die Schnellvorlaufaste (21) oder die Schnellrückwärtaste (22), um schnell vor- oder zurückzuspulen.

### **Aufnahmebetrieb**

1. Drücken Sie die Stopp-/Kassettenür-Öffnen-Taste (20), um die Kassettenür (27) zu öffnen, und legen Sie eine Kassette richtig ein, dann schließen Sie die Kassettenür (27). Spulen Sie das Band an die Position zurück, an der Sie mit der Aufnahme beginnen möchten.
2. Um den Ton einer CD-Disc oder USB/TF-Karte aufzunehmen, schieben Sie den Funktionswähler (17) auf die Position der CD oder USB/TF-Karte und drücken Sie dann zum Abspielen die Wiedergabetaste (23). Um einen Radiosender aufzunehmen, schieben Sie den Funktionswähler (17) auf die Radioposition und stellen Sie den gewünschten Radiosender ein.
3. Drücken Sie die Aufnahmetaste (23), um die Aufnahme zu starten. Zu diesem Zeitpunkt wird die Wiedergabetaste (23) gedrückt.
4. Wenn Sie die Aufnahme stoppen müssen, drücken Sie die Stoppaste (20), um OK zu sein.
5. Um eine externe Audioquelle aufzunehmen, schieben Sie den Funktionswähler (17) auf die Position „Band“ und drücken Sie zum Aufnehmen die Aufnahmetaste (23).

### **Andere Operationen**

Hören mit Kopfhörer: Stecken Sie einen Stereokopfhörer in die Kopfhörerbuchse (3).

Bei einer Fehlermeldung auf dem Display oder anderen Fehlfunktionen des Gerätes bitte die Stromversorgung unterbrechen und anschließend das Gerät neu starten.

### **Pflege und Wartung**

#### **1. Wartung**

Setzen Sie CDs nicht direktem Sonnenlicht, hoher Luftfeuchtigkeit, hohen Temperaturen oder Staub usw. aus.

Um Brand- oder Stromschlaggefahr zu vermeiden, trennen Sie Ihr Gerät beim Reinigen von der Wechselstromquelle. Die Oberfläche Ihres Geräts kann mit einem Staubtuch gereinigt und wie andere Möbel gepflegt werden. Seien Sie beim Reinigen und Abwischen der Kunststoffteile vorsichtig.

#### **2. Kopfreinigung**

Nach jeweils 10 Stunden Bandwiedergabe sollten Sie den Magnetkopf reinigen und die Rollenspindel einklemmen. Verwenden Sie zur Reinigung Baumwolle mit etwas Reinigungsflüssigkeit oder Alkohol oder verwenden Sie Trocken- oder Nassreinigungsbänder.

#### **3. Um ein versehentliches Löschen zu verhindern**

Verwenden Sie nach Abschluss der Aufnahme einen Schraubendreher oder ein anderes scharfes Werkzeug, um den kratzfesten Film auf dem Band aufzubrechen, um das kratzfreie Loch freizulegen.

#### **4. Wie man das Band zum erneuten Aufnehmen verwendet**

Decken Sie das kratzfreie Loch des Bandes mit Klebeband ab, Sie können das Band zum erneuten Aufnehmen verwenden




## Zubehör

- 1 x Netzkabel
- 1 x Fernbedienung
- 1 x Bedienungsanleitung

## Spezifikationen

Stromquelle	AC110V~60Hz / 220V~50Hz
	DC 9V (6 * 1,5 V UM-1 Batterien)
USB-Ausgang	5V~0.5A
Ausgangsleistung	2W+2W
Frequenzbereich	FM: 88-108MHz
	AM: 530-1600kHz
Bandgeschwindigkeit	4.76CM/S±3%
Wow und Flattern	≤0.4%
Frequenzgang der CD-Wiedergabe	50Hz-18kHz
Frequenzgang der Bandwiedergabe	100Hz-8kHz
Maximaler Stromverbrauch	12W
Impedanz der Lautsprecher	3 Zoll, 6 Ohm
Größe	262*243*151mm
Gewicht	1,98 kg

## RF ENERGY EXPOSURE UND PRODUKT-SICHERHEITSHANDBUCH

 BEACHTUNG!	Bevor dieses Radio mit dem Inhalt dieser Anleitung, die wichtige Betriebsanweisungen für den sicheren Einsatz und enthält RF Energiebewusstsein und Kontrolle für die Einhaltung der geltenden Normen und Vorschriften.
---	---

### Lokale Regierungsvorschriften

Wenn Radios als Folge der Beschäftigung verwendet werden, müssen die Benutzer gemäß den Bestimmungen der lokalen Regierung ihre Exposition genau kennen und kontrollieren können, um die beruflichen Anforderungen zu erfüllen. Das Expositionsbewusstsein kann durch die Verwendung eines Produktetiketts erleichtert werden, das Benutzer zu bestimmten Informationen zur Benutzerbewusstsein führt. Ihr Retekeess-Radio verfügt über ein Produktetikett für HF-Belichtung. Außerdem enthält Ihr Retekeess-Benutzerhandbuch oder eine separate Sicherheitsbroschüre Informationen und Betriebsanweisungen, die zur Kontrolle Ihrer HF-Exposition und zur Erfüllung der Compliance-Anforderungen erforderlich sind.

### Nicht autorisierte Änderungen und Anpassungen

Änderungen oder Modifikationen, die nicht ausdrücklich von der für die Einhaltung verantwortlichen Partei genehmigt wurden, können zum Erlöschen der Befugnis des Benutzers führen, die von den Funkverwaltungsabteilungen der örtlichen Regierung zum Betrieb dieses Funkgeräts erteilt wurde, und sollten nicht vorgenommen werden. Um den entsprechenden Anforderungen zu entsprechen, sollten Sendereinstellungen nur von oder unter der Aufsicht einer Person vorgenommen werden, die als technisch qualifiziert für die Durchführung von Senderwartungen und -reparaturen in privaten mobilen Mobilfunk- und Festnetzdiensten zertifiziert ist, die von einer Organisation, die für den Benutzer dieser Benutzer zertifiziert ist, zertifiziert wurde Dienstleistungen. Der Austausch von Senderkomponenten (Kristall, Halbleiter usw.), die nicht von der örtlichen Autorisierung der Funkverwaltungsabteilungen für dieses Funkgerät genehmigt wurden, kann gegen die Regeln verstoßen.

### FCC-Anforderungen:

- Dieses Gerät entspricht Teil 15 der FCC-Bestimmungen. Der Betrieb unterliegt den folgenden zwei Bedingungen:
- (1) Dieses Gerät darf keine schädlichen Störungen verursachen
- (2) Dieses Gerät muss alle empfangenen Störungen akzeptieren, einschließlich Störungen, die einen unerwünschten Betrieb verursachen können.

### CE-Anforderungen:

•(Einfache EU-Konformitätserklärung) Henan Eshow Electronic Commerce Co., Ltd erklärt, dass der Funkgerätetyp den grundlegenden Anforderungen und anderen relevanten Bestimmungen der ROTEN Richtlinie 2014/53 / EU und der ROHS-Richtlinie 2011/65 / EU entspricht und die WEEE-Richtlinie 2012/19 / EU ; Der vollständige Text der EU-Konformitätserklärung ist unter der folgenden Internetadresse verfügbar: [www.retekeess.com](http://www.retekeess.com).

### •Entsorgung

Das durchgestrichene Müllersymbol auf Ihrem Produkt, Ihrer Literatur oder Ihrer Verpackung weist Sie darauf hin, dass in der Europäischen Union alle elektrischen und elektronischen Produkte, Batterien und Akkus (wiederaufladbare Batterien) am Ende von zu bestimmten Sammelstellen gebracht werden müssen ihr Arbeitsleben. Entsorgen Sie diese Produkte nicht als unsortierten Siedlungsabfall. Entsorgen Sie sie gemäß den Gesetzen in Ihrer Nähe.



### IC-Anforderungen:

#### Lizenzfreie Funkgeräte

Dieses Gerät enthält lizenzfreie Sender / Empfänger, die den lizenzfreien RSS (s) für Innovation, Wissenschaft und wirtschaftliche Entwicklung Kanadas entsprechen. Der Betrieb unterliegt den folgenden zwei Bedingungen:

- (1) This device may not cause interference.
- (2) This device must accept any interference, including interference that may cause undesired operation of the device.

Le présent appareil est conforme aux CNR d'Industrie Canada applicables aux appareils radio exempts de licence. L'exploitation est autorisée aux deux conditions suivantes :

(1) l'appareil ne doit pas produire de brouillage;

(2) l'utilisateur de l'appareil doit accepter tout brouillage radioélectrique subi, même si le brouillage est susceptible d'en compromettre le fonctionnement.

#### RF-Warnhinweise

Das Gerät wurde bewertet, um die allgemeinen Anforderungen an die HF-Exposition zu erfüllen. Das Gerät kann ohne Einschränkung unter tragbaren Belichtungsbedingungen verwendet werden.

#### RF-Belichtungsinformationen

- Betreiben Sie das Radio NICHT ohne eine ordnungsgemäße Antenne, da dies das Radio beschädigen und dazu führen kann, dass Sie die Grenzwerte für die HF-Exposition überschreiten. Eine ordnungsgemäße Antenne ist die vom Hersteller mit diesem Funkgerät gelieferte Antenne oder eine vom Hersteller speziell für die Verwendung mit diesem Funkgerät zugelassene Antenne, und der Antennengewinn darf den vom Hersteller angegebenen Gewinn nicht überschreiten.
- Um Störungen zu vermeiden, schalten Sie das Radio in Bereichen aus, in denen dafür Schilder angebracht sind.
- Betreiben Sie den Sender NICHT in Bereichen, die empfindlich gegenüber elektromagnetischer Strahlung sind, wie Krankenhäusern, Flugzeugen und Sprengstellen.

#### Erstickungsgefahr vermeiden



Kleine Teile. Nicht für Kinder unter 3 Jahren.

#### Schützen Sie Ihr Gehör:



**WARNING**

- Verwenden Sie das niedrigste für Ihre Arbeit erforderliche Volumen.
  - Erhöhen Sie die Lautstärke nur, wenn Sie sich in einer lauten Umgebung befinden.
  - Verringern Sie die Lautstärke, bevor Sie ein Headset oder eine Hörmuschel hinzufügen.
  - Begrenzen Sie die Zeit, in der Sie Headsets oder Ohrhörer mit hoher Lautstärke verwenden.
  - Wenn Sie das Radio ohne Headset oder Ohrhörer verwenden, stellen Sie den Lautsprecher des Radios nicht direkt an Ihr Ohr
  - Gehen Sie vorsichtig mit dem Kopfhörer um. Möglicherweise kann ein übermäßiger Schalldruck von Kopfhörern und Kopfhörern zu Hörverlust führen
- Hinweis: Wenn Sie längere Zeit lauten Geräuschen von einer beliebigen Quelle ausgesetzt sind, kann dies Ihr Gehör vorübergehend oder dauerhaft beeinträchtigen. Je lauter die Lautstärke des Radios ist, desto weniger Zeit wird benötigt, bevor Ihr Gehör beeinträchtigt werden kann. Hörschäden durch lautes Geräusch sind manchmal zunächst nicht nachweisbar und können sich kumulativ auswirken.



#### Zugelassenes Zubehör



**WARNING**

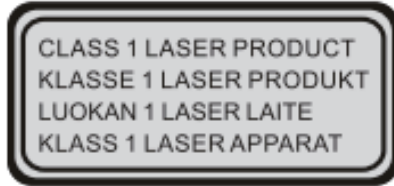
- Dieses Radio erfüllt die HF-Expositionsrichtlinien, wenn es mit dem mitgelieferten oder für das Produkt bestimmten Reteless-Zubehör verwendet wird. Die Verwendung von anderem Zubehör gewährleistet möglicherweise nicht die Einhaltung der Richtlinien zur HF-Exposition und verstößt möglicherweise gegen Vorschriften.
- Eine Liste der von Reteless zugelassenen Zubehörteile für Ihr Funkmodell finden Sie auf der folgenden Website: <http://www.Reteless.com>

## Caractéristiques

- CD/CD-R/RW/MP3 Lecteur
- Port d'entrée de carte USB/TF
- Transfert de musique d'un disque/cassette/source sonore externe vers un périphérique USB ou une carte TF
- AM/FM band radio
- Enregistrement et lecture de cassettes

REMARQUE : VEUILLEZ LIRE ATTENTIVEMENT LES INSTRUCTIONS SUIVANTES AVANT D'UTILISER CET ÉQUIPEMENT.

1, Veuillez suivre les étapes prescrites lors de l'utilisation du lecteur CD, ou vous pourriez souffrir de radiations nocives. Ce lecteur CD est un produit CLASS 1 LASER (I class laser).



2, Lorsque le couvercle du CD est ouvert ou fermé par négligence, une lumière laser invisible sera générée, l'article doit éviter l'irradiation du faisceau de rayonnement.



3, Veuillez ne pas toucher la tête chauve à volonté, sinon cela affectera les performances de lecture.



## Consigne de sécurité importante

- 1, N'utilisez pas ce produit près de l'eau et de l'humidité, par exemple : près d'une baignoire, d'un lavabo, d'un évier de cuisine ou d'une cuve à lessive ; dans un sous-sol humide; ou près d'une piscine.
- 2, Ne pas installer à proximité de sources de chaleur telles que radiateurs, registres de chaleur, poêles ou autres appareils (y compris les amplificateurs) qui produisent de la chaleur.
- 3, Ne bloquez aucune bouche d'aération. Des fentes et des ouvertures dans l'armoire et à l'arrière ou en bas sont prévues pour la ventilation, pour assurer un fonctionnement fiable du produit et pour le protéger de la surchauffe. Ces ouvertures ne doivent pas être bloquées ou couvertes. Les ouvertures ne doivent jamais être bloquées en plaçant le produit sur un lit, un canapé, un tapis ou d'autres surfaces similaires. Ce produit ne doit jamais être placé à proximité ou au-dessus d'un radiateur ou d'une source de chaleur.
- 4, Entrée d'objet et de liquide. N'introduisez jamais d'objets de quelque nature que ce soit dans ce produit par les ouvertures car ils pourraient toucher des points de tension dangereux ou court-circuiter des pièces qui pourraient provoquer un incendie ou un choc électrique. Ne jamais renverser ni pulvériser aucun type de liquide sur le produit.
- 5, Débranchez ce produit de la prise murale avant de le nettoyer. Ne pas utiliser de nettoyeurs liquides ou aérosols. Utilisez uniquement un chiffon sec pour le nettoyage.
- 6, N'utilisez que les pièces jointes/accessoires spécifiés par le fabricant.

## Utilisation de l'énergie et précautions

### Important

Avant de brancher l'alimentation secteur ou d'installer des piles, assurez-vous que le commutateur de fonction est en position d'arrêt. Cette machine ne peut connecter ou utiliser que la batterie spécifiée et l'alimentation secteur AC.

### Pour faire fonctionner l'appareil à l'aide de l'alimentation secteur

Branchez une extrémité du cordon d'alimentation AC dans la prise d'alimentation AC et l'autre extrémité dans une prise de courant domestique de 220 V.

- Lorsque la prise secteur a été insérée dans la prise AC IN, l'alimentation de la batterie sera automatiquement coupée.
- Lorsque l'interrupteur est en position d'arrêt, l'alimentation électrique de la machine n'est pas complètement coupée et l'alimentation électrique ne peut être coupée complètement qu'en débranchant la prise d'alimentation.
- Lorsque vous débranchez le cordon d'alimentation secteur, vous devez tenir la partie prise au lieu de tirer uniquement sur le cordon d'alimentation.

-Ne touchez jamais la prise d'alimentation AC lorsque vos mains sont mouillées. Sinon, cela peut provoquer un incendie ou un choc électrique

-Protégez le cordon d'alimentation contre les piétinements ou les pincements, en particulier au niveau des fiches, des prises de courant et du point où ils sortent de l'appareil.

### Opération de la batterie

Installez (ou remplacez les piles lorsqu'elles sont épuisées) comme ci-dessous

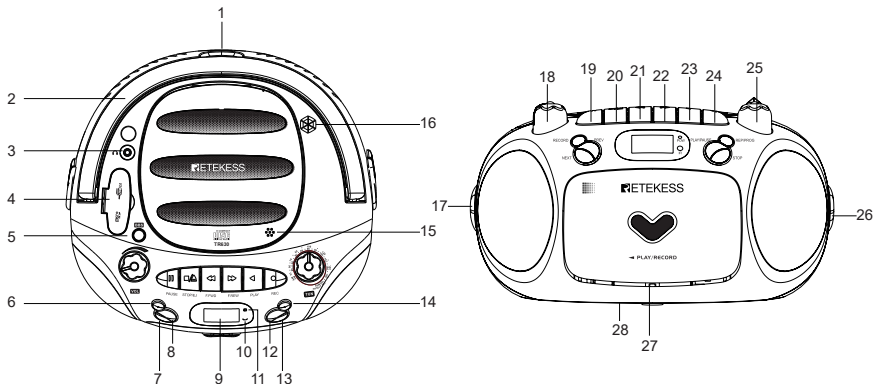
1. Faites glisser le compartiment à piles (28) vers l'extérieur puis soulevez-le.

2. Insérez 6 piles de type um1 de 1,5 V (non incluses) selon le schéma de polarité à l'intérieur du compartiment des piles.
3. Fermez le compartiment à piles.

### Précautions

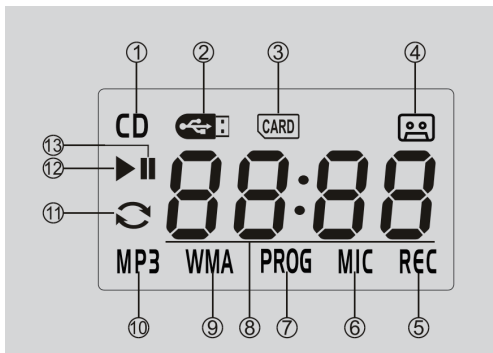
1. Débranchez l'appareil ou retirez la batterie pendant les orages ou lorsqu'il n'est pas utilisé pendant de longues périodes pour éviter les dommages ou les blessures dus à une éventuelle fuite de la batterie.
2. Ne mélangez pas différents types de piles ou de vieilles piles avec des neuves. Et les batteries ne doivent pas être chargées ou chauffées. Lors du retrait de la batterie épuisée, si la batterie fuit, retirez la batterie et essuyez soigneusement le liquide. Les piles usagées doivent être placées dans des lieux de recyclage officiellement désignés pour éviter la pollution de l'environnement.
3. La durée de vie de la batterie est limitée pour jouer, veuillez utiliser l'alimentation secteur autant que possible.
4. Lorsque vous utilisez des piles, le cordon d'alimentation AC doit être débranché de l'appareil. Lorsque la vitesse de la bande ralentit, le volume diminue ou le son est déformé, veuillez remplacer les piles.
5. La batterie (batterie ou batterie assemblée) ne doit pas être utilisée dans un environnement surchauffé (comme la lumière directe du soleil, des flammes nues ou des environnements similaires).

### Emplacement des contrôles



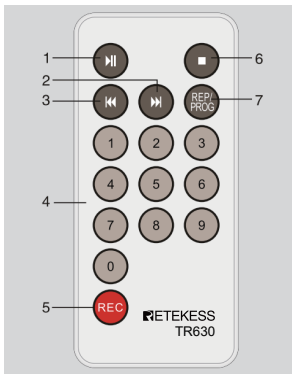
- |                                   |   |
|-----------------------------------|---|
| 1.AC~ Prise (arrière)             | 15.Porte CD                                     |
| 2.Poignée                         | 16.Antenne Téléscopique FM                      |
| 3.Prise casque                    | 17.Sélecteur de fonction                        |
| 4.Prise de carte USB/TF           | 18.Bouton de contrôle du volume                 |
| 5.Bouton de basse                 | 19.Bouton Pause (cassette)                      |
| 6.Bouton d'enregistrement         | 20.Bouton d'arrêt/d'ouverture de porte cassette |
| 7.Bouton de la chanson suivante   | 21.Bouton d'avance rapide (cassette)            |
| 8.Bouton de la chanson précédente | 22.Bouton retour rapide (cassette)              |
| 9.LCD affichage                   | 23.Bouton de lecture (Cassette)                 |
| 10.Récepteur de télécommande      | 24.Bouton d'enregistrement (cassette)           |
| 11.Indicateur de puissance        | 25.Bouton de sélection de station               |
| 12.Bouton lecture/pause           | 26.Bouton de sélection de bande                 |
| 13.Bouton d'arrêt                 | 27.Porte de cassette                            |
| Bouton de répétition/programme    | 28.Compartiment à piles (en bas)                |

### LCD affichage



- 1.Mode de lecture CD
  - 2.Mode de lecture USB
  - 3.Mode de lecture de la carte TF
  - 4.Mode de lecture de bande
  - 5.Mode d'enregistrement
  - 6.Mode d'enregistrement externe
  - 7.Mode programme
  - 8.Temps de lecture
  - 9.Lecture au format WMA
  - 10.Lecture au format MP3
  - 11.Lecture en boucle
  - 12.Mode de répétition d'une seule chanson
  - 13.Mode de lecture
- " " Mode de répétition de dossier  
 " " Clignotant pour le mode de répétition de disque complet

## Télécommande



1. Bouton Lecture/Pause
2. Bouton de la chanson suivante
3. Bouton de la chanson précédente
4. Clavier numérique
5. Bouton d'enregistrement
6. Bouton d'arrêt
7. Bouton de répétition/programme

### Opération de la télécommande

1. Bouton Lecture/Pause : pendant la lecture de la carte CD/USB/TF, appuyez sur ce bouton pour mettre la lecture en pause et appuyez à nouveau sur ce bouton pour reprendre la lecture.
2. Bouton de chanson suivante : dans l'état de lecture d'une carte CD/USB/TF, appuyez sur cette touche pour sélectionner la chanson suivante à lire
3. Bouton de la chanson précédente : dans l'état de lecture d'une carte CD / USB / TF, appuyez sur cette touche pour sélectionner la chanson précédente à lire
4. Clavier numérique : lors de la lecture d'une carte CD/USB/TF, vous pouvez utiliser les touches numériques pour sélectionner une chanson spécifique. Par exemple, si vous voulez lire la 23ème piste, entrez le numéro "2" puis "3", il sautera à cette piste pour jouer
5. Bouton d'enregistrement : appuyez sur ce bouton pour enregistrer ou transférer de la musique
6. Bouton d'arrêt : dans l'état de lecture d'une carte CD/USB/TF, appuyez sur ce bouton pour arrêter la lecture.
7. Bouton Répéter/Programmer : Pendant la lecture d'une carte CD/USB/TF, appuyez sur cette touche pour répéter une seule piste, un dossier ou toutes les pistes.  
(Remarque : vous pouvez entrer le modèle de programme à l'état d'arrêt. L'opération de contrôle à distance est la même que l'hôte)

### Opération de lecture de carte CD / USB / TF

1. Lecture CD/MP3 : faites glisser le sélecteur de fonction (17) sur la position CD, ouvrez la porte du CD (15) et placez un disque CD sur l'axe central dans le bon sens, puis fermez la porte, il sera lu une fois la détection terminée.
2. Lecture de carte USB/TF : insérez la carte USB/TF contenant des fichiers au format MP3 dans la prise de carte USB/TF (4), faites glisser le sélecteur de fonction (17) sur la position de la carte USB/TF, elle sera lue après la détection. complété. (Remarque : il ne prend pas en charge la lecture des fichiers au format WMA)
3. Appuyez sur le bouton Lecture/Pause (12) pour mettre en pause, appuyez à nouveau pour reprendre la lecture normale
4. Tournez le bouton de contrôle du volume (18) pour régler le niveau de volume comme vous le souhaitez
5. Appuyez sur le bouton Chanson précédente (8) et le bouton Chanson suivante (7) pour sélectionner la piste que vous voulez jouer
6. Appuyez sur le bouton Stop (13) pour arrêter la lecture

### Mode répétition

Appuyez une fois sur le bouton de répétition (14) pour passer en mode de répétition d'une seule chanson, "↺" s'affiche à l'écran ; Appuyez à nouveau sur le bouton de répétition (14) pour passer en mode de répétition du dossier, "↻" s'affiche à l'écran ; Appuyez à nouveau sur le bouton de répétition (14) pour passer en mode de répétition complète du disque, "↻" clignote à l'écran. Appuyez à nouveau sur le bouton de répétition (14) pour annuler le mode de répétition.

### Opération du programme

À l'état d'arrêt, appuyez sur le bouton Programme (14) pour entrer dans le réglage du programme, appuyez sur le bouton Chanson précédente (8) et le bouton Chanson suivante (7) pour sélectionner la piste que vous souhaitez programmer, appuyez sur le bouton Programme (14) pour confirmez, puis appuyez sur le bouton Lecture (12) pour lire les pistes programmées. Appuyez sur le bouton Stop (13) pour arrêter la lecture si nécessaire.

#### Remarque:

- N'utilisez pas de disques laser de forme irrégulière, sinon cela provoquerait des dysfonctionnements
- Ne pas mettre plus d'un disque dans le compartiment CD en même temps
- N'essayez pas d'ouvrir la porte du compartiment CD pendant la lecture
- Ne touchez pas la tête du CD, sinon cela provoquerait un dysfonctionnement

### Opération d'enregistrement sur carte USB/TF

Transfert de musique d'un disque vers un périphérique USB ou une carte TF

1. Faites glisser le sélecteur de fonction (17) sur la position CD
2. Fermez la porte CD (15) après avoir placé un disque CD sur l'axe central dans le bon sens, il sera lu une fois la détection terminée.
3. Insérez la carte USB / TF contenant des fichiers au format MP3 dans la prise de carte USB / TF (4)
4. Appuyez longuement sur le bouton d'enregistrement (6) pour enregistrer le son du disque
5. Appuyez à nouveau longuement sur le bouton d'enregistrement (6) pour quitter le mode d'enregistrement et revenir à l'état de lecture

### Transfert de musique d'une cassette vers un périphérique USB ou une carte TF

1. Faites glisser le sélecteur de fonction (17) sur la position Tape
2. Appuyez sur le bouton Arrêt/Ouverture de la porte de la cassette (20) pour ouvrir la porte de la cassette (27) et placez correctement la bande à enregistrer dans le compartiment à cassette, puis fermez la porte.

- 3.Appuyez sur le bouton de lecture (23) pour commencer à jouer.
- 4.Appuyez longuement sur le bouton d'enregistrement (6) pour enregistrer le son de la cassette.
- 5.Appuyez à nouveau longuement sur le bouton d'enregistrement (6) pour quitter le mode d'enregistrement et revenir à l'état de lecture.

### **Enregistrez une source sonore externe sur un périphérique USB ou une carte TF**

1. Faites glisser le sélecteur de fonction (17) sur la position USB/TF.
2. Insérez la carte USB/TF dans la prise de carte USB/TF (4) pour lire le fichier.
- 3.Appuyez longuement sur le bouton d'enregistrement (6) pour enregistrer la source audio externe via le microphone intégré.
4. Appuyez longuement sur le bouton d'enregistrement (6) à nouveau pour quitter le mode d'enregistrement et revenir à l'état de lecture.

### **Lire les fichiers d'enregistrement**

1. Faites glisser le sélecteur de fonction (17) sur la position USB/TF.
2. Appuyez longuement sur le bouton Lecture/Pause (12) pour passer au mode de lecture des fichiers d'enregistrement.
- 3.Appuyez sur le bouton Chanson précédente (8) et le bouton Chanson suivante (7) pour sélectionner le fichier d'enregistrement que vous souhaitez lire.

### **Opérations de la radio**

1. Faites glisser le sélecteur de fonction (17) sur la position Radio pour allumer la radio.
2. Appuyez sur le bouton de sélection de bande (26) à plusieurs reprises pour sélectionner la bande AM ou FM comme vous le souhaitez.
- 3.Tournez le bouton de sélection de station (25) pour sélectionner la station souhaitée.
- 4.Tournez le bouton de contrôle du volume (18) pour régler le niveau de volume comme vous le souhaitez.

#### **Remarque:**

1. Si l'appareil produit du bruit en raison de l'influence d'appareils à proximité (tels qu'un téléviseur, un ordinateur ou une lampe fluorescente), vous devez déplacer l'appareil vers un autre endroit pour écouter la radio.
- 2.Lors de l'écoute de la radio FM, certaines fréquences peuvent être perturbées par la fréquence de l'horloge

### **Pour une meilleure réception**

#### **AM Bande:**

Cet appareil est doté d'une antenne tige de ferrite intégrée, qui offre une réception adéquate dans la plupart des zones. Si la réception est faible, tournez l'appareil pour améliorer la réception.

#### **FM Bande:**

L'antenne télescopique FM est destinée à la réception FM uniquement. Si la réception est faible, ajustez la longueur et l'angle de l'antenne.

### **Opération du lecteur de cassettes**

1. Faites glisser le sélecteur de fonction (17) sur la position Casette.
- 2.Appuyez sur le bouton Arrêt/Ouverture de la porte de la cassette à cassette (20) pour ouvrir la porte de la cassette (27) et placez une cassette à l'intérieur correctement, puis fermez la porte de la cassette (27).
- 3.Appuyez sur le bouton de lecture (23) pour lire la piste de la cassette.
4. Tournez le bouton de contrôle du volume (18) pour régler le niveau de volume comme vous le souhaitez.
- 5.Appuyez sur le bouton Arrêt/Ouverture du volet de la cassette (20) pour arrêter la lecture de la cassette.
6. Appuyez sur le bouton Lecture/Pause (19) pour faire une pause, appuyez à nouveau pour reprendre la lecture normale.
7. Appuyez sur le bouton d'avance rapide (21) ou le bouton de retour rapide (22) pour avancer ou reculer rapidement .

### **Opération d'enregistrement**

- 1.Appuyez sur le bouton Arrêt/Ouverture de la porte de la cassette à cassette (20) pour ouvrir la porte de la cassette (27) et placez une cassette à l'intérieur correctement, puis fermez la porte de la cassette (27). Rembobinez la bande jusqu'à la position où vous souhaitez commencer l'enregistrement.
- 2.Pour enregistrer le son d'un disque CD ou d'une carte USB/TF, faites glisser le sélecteur de fonction (17) sur la position CD ou carte USB/TF, puis appuyez sur le bouton de lecture (23) pour lire. Pour enregistrer une station de radio, faites glisser le sélecteur de fonction (17) sur la position radio et syntonisez la station de radio souhaitée.
- 3.Appuyez sur le bouton d'enregistrement (23) pour démarrer l'enregistrement, à ce moment-là, le bouton de lecture (23) sera enfoncé.
- 4.Si vous devez arrêter l'enregistrement, appuyez sur le bouton d'arrêt (20) sera OK.
- 5.Pour enregistrer une source audio externe, faites glisser le sélecteur de fonction (17) sur la position « Tape » et appuyez sur le bouton d'enregistrement (23) pour enregistrer.

### **Autres opérations**

Écoutez avec un casque : à l'aide d'un casque stéréo, insérez-le dans la prise casque (3).

Si'il y a un message d'erreur sur l'écran ou d'autres dysfonctionnements de l'appareil, veuillez couper l'alimentation, puis redémarrer l'appareil.

### **Entretien et maintenance**

#### **1.Maintenance**

N'exposez pas les disques compacts à la lumière directe du soleil, à une humidité élevée, à des températures élevées ou à la poussière, etc.

Pour éviter les risques d'incendie ou d'électrocution, débranchez votre appareil de la source d'alimentation AC lors du nettoyage. La finition de votre appareil peut être nettoyée avec un chiffon à poussière et entretenue comme les autres meubles. Soyez prudent lorsque vous nettoyez et essuyez les pièces en plastique.

#### **2.Nettoyage de la tête**

Toutes les 10 heures de lecture de la bande, vous devez nettoyer la tête magnétique et pincer l'axe du rouleau. Vous devez utiliser du coton avec un peu de liquide de nettoyage ou d'alcool pour le nettoyage ou utiliser des rubans de nettoyage à sec ou humide.

#### **3.Pour éviter l'effacement accidentel**

Une fois l'enregistrement terminé, utilisez un tournevis ou un autre outil pointu pour briser le film anti-rayures sur la bande pour exposer le trou anti-rayures.

#### **4.Comment utiliser la cassette pour enregistrer à nouveau**

Couvrez le trou anti-rayures de la bande avec du ruban adhésif, vous pouvez utiliser la bande pour enregistrer à nouveau.

## Accessoires

1 x AC Câble d'alimentation

1 x Télécommande

1 x Manuel du propriétaire

## Spécifications

Alimentation électrique	AC110V~60Hz / 220V~50Hz
	DC 9V ( 6* 1.5V UM-1 batteries)
Sortie USB	5V~0.5A
Puissance de sortie	2W+2W
Gamme de fréquences	FM: 88-108MHz
	AM: 530-1600kHz
Vitesse de la bande	4.76CM/S±3%
Wow et fluide	≤0.4%
Réponse en fréquence de lecture CD	50Hz-18kHz
Réponse en fréquence de lecture de bande	100Hz-8kHz
Consommation maximale	12W
Impédance du haut-parleur	3in, 6ohm
Dimensions	262*243*151mm
Poids	1.98kg

## EXPOSITION AUX ÉNERGIES RF ET GUIDE DE SÉCURITÉ DES PRODUITS



Avant d'utiliser cette radio, lisez ce guide qui contient des instructions de fonctionnement importantes pour une utilisation en toute sécurité et une prise de conscience et un contrôle de l'énergie RF pour la conformité aux normes et réglementations applicables.

### Règlements du gouvernement local

Lorsque les radios sont utilisées en raison de l'emploi, la réglementation du gouvernement local exige que les utilisateurs soient pleinement conscients et capables de contrôler leur exposition pour répondre aux exigences professionnelles. La sensibilisation à l'exposition peut être facilitée par l'utilisation d'une étiquette de produit orientant les utilisateurs vers des informations spécifiques de sensibilisation des utilisateurs. Votre radio Retekeess a une étiquette de produit d'exposition aux RF. De plus, votre manuel d'utilisation Retekeess ou un livret de sécurité séparé comprend les informations et les instructions d'utilisation nécessaires pour contrôler votre exposition aux RF et pour satisfaire aux exigences de conformité.

### Modification et ajustement non autorisés

Les changements ou modifications non expressément approuvés par la partie responsable de la conformité peuvent annuler l'autorisation de l'utilisateur accordée par les services de gestion de la radio du gouvernement local à utiliser cette radio et ne doivent pas être effectuées. Pour se conformer aux exigences correspondantes, les réglages de l'émetteur ne devraient être effectués que par ou sous la supervision d'une personne certifiée techniquement qualifiée pour effectuer la maintenance et les réparations de l'émetteur dans les services mobiles et fixes terrestres privés, comme certifié par une organisation représentative de l'utilisateur de ceux-ci. prestations de service.

Le remplacement de tout composant de l'émetteur (cristal, semi-conducteur, etc.) non autorisé par l'autorisation de l'équipement des services de gestion radio du gouvernement local pour cette radio pourrait enfreindre les règles

### Exigences FCC:

• Cet appareil est conforme à la partie 15 des règles FCC. Son fonctionnement est soumis aux deux conditions suivantes:

- (1) Cet appareil ne doit pas causer d'interférences nuisibles, et
- (2) cet appareil doit accepter toute interférence reçue, y compris les interférences pouvant entraîner un fonctionnement indésirable.

### Exigences CE:

• (Déclaration de conformité UE simple) Henan Eshow Electronic Commerce Co., Ltd déclare que le type d'équipement radio est conforme aux exigences essentielles et aux autres dispositions pertinentes de la directive RED 2014/53 / UE et de la directive ROHS 2011/65 / UE et la directive DEEE 2012/19 / UE; le texte intégral de la déclaration de conformité UE est disponible à l'adresse Internet suivante: [www.retekeess.com](http://www.retekeess.com).

#### •Disposition

Le symbole de la poubelle à roulettes barrée sur votre produit, documentation ou emballage vous rappelle que dans l'Union européenne, tous les produits électriques et électroniques, les piles et les accumulateurs (piles rechargeables) doivent être apportés aux lieux de collecte désignés à la fin de leur vie professionnelle. Ne jetez pas ces produits avec les déchets municipaux non triés. Éliminez-les conformément aux lois de votre région.



### Exigences IC:

Appareils radio exempts de licence

Cet appareil contient des émetteurs / récepteurs exempt (s) de licence qui sont conformes aux RSS exempts de licence d'Innovation, Sciences et Développement économique Canada. Son fonctionnement est soumis aux deux conditions suivantes:

- (1) This device may not cause interference.
- (2) This device must accept any interference, including interference that may cause undesired operation of the device.

Le présent appareil est conforme aux CNR d'Industrie Canada applicables aux appareils radio exempts de licence. L'exploitation est autorisée aux deux conditions suivantes :

- (1) l'appareil ne doit pas produire de brouillage;
- (2) l'utilisateur de l'appareil doit accepter tout brouillage radioélectrique subi, même si le brouillage est susceptible d'en compromettre le fonctionnement.

### Déclarations d'avertissement RF

L'appareil a été évalué pour répondre aux exigences générales d'exposition aux RF. L'appareil peut être utilisé dans des conditions d'exposition portable sans restriction.

### Informations sur l'exposition aux RF

• N'utilisez PAS la radio sans une antenne appropriée, car cela peut endommager la radio et peut également vous amener à dépasser les limites d'exposition RF. Une antenne appropriée est l'antenne fournie avec cette radio par le fabricant ou une antenne spécifiquement autorisée par le fabricant pour une utilisation avec cette radio, et le gain d'antenne ne doit pas dépasser le gain spécifié par le fabricant déclaré.

• Pour éviter les interférences, éteignez la radio dans les zones où des panneaux sont affichés pour le faire.

• N'utilisez PAS l'émetteur dans des zones sensibles aux rayonnements électromagnétiques tels que les hôpitaux, les avions et les sites de dynamitage.

### Évitez les risques d'étouffement



Petites pièces. Pas pour les enfants de moins de 3 ans.

### Protégez votre audition:



- Utilisez le volume le plus bas nécessaire pour faire votre travail.
- Augmentez le volume uniquement si vous vous trouvez dans un environnement bruyant.
- Baissez le volume avant d'ajouter un casque ou une oreillette.
- Limitez la durée d'utilisation des casques ou des écouteurs à volume élevé.



- Lorsque vous utilisez la radio sans casque ni écouteur, ne placez pas le haut-parleur de la radio directement contre votre oreille

- Utilisez avec précaution les écouteurs, peut-être une pression sonore excessive des écouteurs et des écouteurs peut entraîner une perte auditive

Remarque: une exposition à des bruits forts provenant de n'importe quelle source pendant de longues périodes peut affecter temporairement ou définitivement votre audition. Plus le volume de la radio est élevé, moins il faudra de temps avant que votre audition ne soit affectée. Les dommages auditifs dus au bruit fort sont parfois indétectables au début et peuvent avoir un effet cumulatif.



#### Accessoires approuvés



**WARNING**

- Cette radio est conforme aux directives d'exposition RF lorsqu'elle est utilisée avec les accessoires Reteless fournis ou conçus pour le produit. L'utilisation d'autres accessoires peut ne pas garantir la conformité avec les directives d'exposition aux RF et peut enfreindre les réglementations.

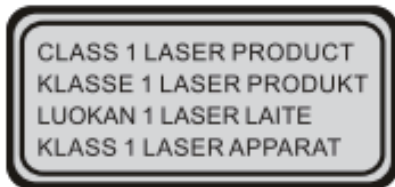
- Pour obtenir une liste des accessoires approuvés par Reteless pour votre modèle de radio, visitez le site Web suivant: <http://www.Reteless.com>

## Caratteristiche

- Lettore CD/CD-R/RW/MP3
- Porta di ingresso per scheda USB/TF
- Trasferimento di musica da un disco/cassetta/fonte sonora esterna a un dispositivo USB o a una scheda TF.
- Radio in banda AM/FM
- Registrazione e riproduzione su cassetta

NOTA: LEGGERE ATTENTAMENTE LE SEGUENTI ISTRUZIONI PRIMA DI UTILIZZARE QUESTA APPARECCHIATURA.

1. Si prega di seguire i passaggi prescritti durante l'utilizzo del lettore CD, o si potrebbe soffrire di radiazioni dannose. Questo lettore CD è un prodotto LASER di CLASSE 1 (laser di I classe).



2. Quando la copertina del CD viene aperta o chiusa per negligenza, verrà generata una luce laser invisibile, l'articolo deve evitare l'irradiazione del raggio di radiazione.



3. Si prega di non toccare la testa calva a piacimento, altrimenti influenzerà le prestazioni di riproduzione.



## Importanti istruzioni di sicurezza

1. Non utilizzare questo prodotto vicino all'acqua e all'umidità, ad esempio: vicino a una vasca da bagno, un lavabo, un lavello da cucina o una vasca per il bucato; in un seminterrato umido; o vicino a una piscina.
2. Non installare vicino a fonti di calore come radiatori, termosifoni, stufe o altri apparecchi (compresi gli amplificatori) che producono calore.
3. Non ostruire le aperture di ventilazione. Fessure e aperture nell'armadio e nella parte posteriore o inferiore sono previste per la ventilazione, per garantire un funzionamento affidabile del prodotto e per proteggerlo dal surriscaldamento. Queste aperture non devono essere bloccate o coperte. Le aperture non devono mai essere bloccate posizionando il prodotto su un letto, divano, tappeto o altre superfici simili. Questo prodotto non deve mai essere posizionato vicino o sopra un radiatore o una fonte di calore.
4. Ingresso di oggetti e liquidi. Non inserire mai oggetti di alcun tipo all'interno di questo prodotto attraverso le aperture poiché potrebbero toccare punti a tensione pericolosa o parti in cortocircuito che potrebbero provocare incendi o scosse elettriche. Non versare o spruzzare alcun tipo di liquido sul prodotto.
5. Scollegare questo prodotto dalla presa a muro prima della pulizia. Non usare detersivi liquidi o spray. Utilizzare solo un panno asciutto per la pulizia.
6. Utilizzare solo allegati/accessori specificati dal produttore.

## Consumo energetico e precauzioni

### Importante

Prima di collegare l'alimentazione AC o installare le batterie, assicurarsi che l'interruttore di funzione sia in posizione off. Questa macchina può collegare o utilizzare solo la batteria specificata e l'alimentazione domestica AC.

### Per azionare l'unità utilizzando l'alimentazione AC

Collegare un'estremità del cavo di alimentazione AC alla presa di alimentazione AC e l'altra estremità a una presa di corrente domestica da 220 V.

- Quando la spina AC è stata inserita nella presa AC IN, l'alimentazione della batteria verrà interrotta automaticamente.
- Quando l'interruttore è in posizione spento, l'alimentazione della macchina non è completamente interrotta e l'alimentazione può essere interrotta completamente solo scollegando la spina di alimentazione.
- Quando si scollega il cavo di alimentazione AC, è necessario tenere la parte della spina invece di tirare solo il cavo di alimentazione
- Non toccare mai la spina di alimentazione AC con le mani bagnate. In caso contrario potrebbe causare incendi o scosse elettriche
- Proteggere il cavo di alimentazione dall'essere calpestato o schiacciato, in particolare in corrispondenza di spine, prese di corrente e nel punto in cui escono dall'apparecchio.

### Funzionamento a batteria

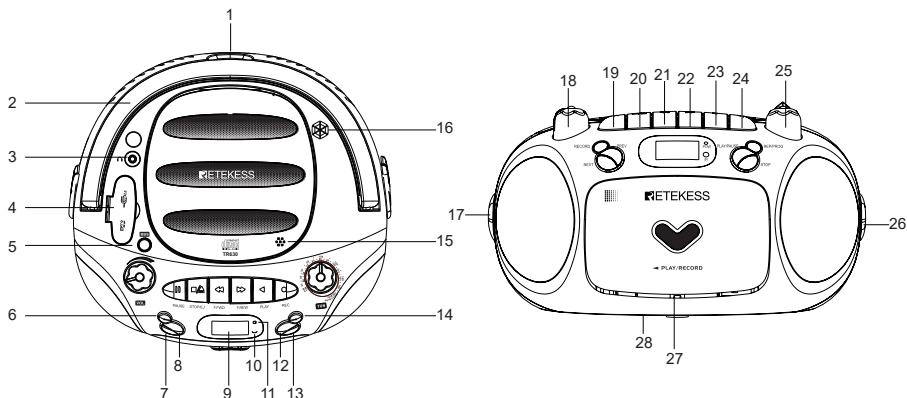
Installare (o sostituire le batterie quando sono scariche) come di seguito

1. Far scorrere il vano batteria (28) verso l'esterno, quindi sollevarlo.
2. Inserire 6 batterie di tipo um1 da 1,5 V (non incluse) secondo il diagramma di polarità all'interno del vano batterie.
3. Chiudere il vano batterie.

## Precauzioni

1. Scollegare l'apparecchio o rimuovere la batteria durante i temporali o quando non viene utilizzato per lunghi periodi di tempo per evitare danni o lesioni dovute a possibili perdite della batteria.
2. Non mischiare diversi tipi di batterie o batterie vecchie con batterie nuove. E le batterie non devono essere caricate o riscaldate. Quando si rimuove la batteria scarica, se la batteria perde, rimuovere la batteria e pulire accuratamente il liquido. Le batterie usate devono essere collocate in luoghi di riciclaggio ufficialmente designati per evitare l'inquinamento ambientale.
3. La durata della batteria è limitata per il gioco, utilizzare l'alimentazione AC il più possibile.
4. Quando si utilizzano le batterie, il cavo di alimentazione AC deve essere scollegato dall'unità. Quando la velocità del nastro rallenta, il volume diminuisce o il suono è distorto, sostituire le batterie
5. La batteria (pacco batteria o batteria assemblata) non deve essere utilizzata in un ambiente surriscaldato (come luce solare diretta, fiamme libere o ambienti simili).

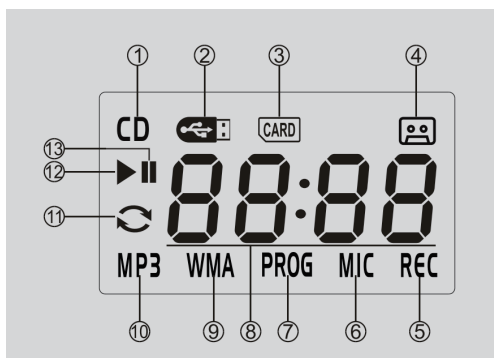
## Posizione dei controlli



- 1.AC~ Presa (lato posteriore)
2. Maniglia per il trasporto
- 3.Presa per cuffie
- 4.Presa per scheda USB/TF
- 5.Pulsante dei bassi
- 6.Pulsante Registra
7. Pulsante brano successivo
8. Pulsante brano precedente
- 9.Display LCD
10. Ricevitore del telecomando
11. Indicatore di alimentazione
12. Pulsante Riproduci/Pausa
13. Pulsante Ferma
- 14.Pulsante Ripeti/Programma

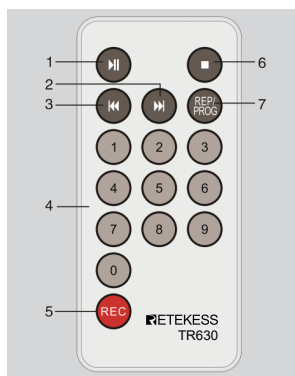
15. Porta CD
16. Antenna del telescopio FM
- 17.Selettore di funzioni
- 18.Manopola di controllo del volume
19. Pulsante di pausa (cassetta)
20. Pulsante di apertura sportello di arresto/cassetta
- 21.Tasto avanti veloce (cassetta)
- 22.Pulsante indietro veloce (cassetta)
- 23..Pulsante di riproduzione (cassetta)
- 24.Pulsante di registrazione (cassetta)
- 25.Manopola di selezione della stazione
- 26.Pulsante di selezione della banda
- 27.Sportello della cassetta
- 28.Vano batteria (in basso)

## LCD Display



- 1.Modalità di riproduzione CD
2. Modalità di riproduzione USB
3. Modalità di riproduzione della carta TF
4. Modalità di riproduzione del nastro
5. Modalità di registrazione
6. Modalità di registrazione esterna
7. Modalità programma
8. Tempo di gioco
- 9.Riproduzione in formato WMA
- 10.Riproduzione in formato MP3
11. Riproduzione in loop
- "↺"Modalità di ripetizione di un singolo brano
- "↻"modalità di ripetizione cartella
- "⏮"Lampeggiante per la modalità di ripetizione dell'intero disco
- 12.Modalità di riproduzione
13. Modalità di pausa

## Telecomando



1. Pulsante Riproduci/Pausa
2. Pulsante brano successivo
3. Pulsante brano precedente
4. Tastiera numerica
5. Pulsante Registra
6. Pulsante Stop
7. Pulsante Ripeti/Programma

### Funzionamento del telecomando

1. Pulsante Play/Pausa: durante la riproduzione di CD/USB/scheda TF, premere questo pulsante per mettere in pausa la riproduzione e premere nuovamente questo pulsante per riprendere la riproduzione.
2. Pulsante brano successivo: nello stato di riproduzione della scheda CD/USB/TF, premere questo tasto per selezionare il brano successivo da riprodurre.
3. Pulsante brano precedente: nello stato di riproduzione della scheda CD/USB/TF, premere questo tasto per selezionare il brano precedente da riprodurre.
4. Tastierino numerico: durante la riproduzione di una scheda CD/USB/TF, è possibile utilizzare i tasti numerici per selezionare un brano specifico. ad esempio, ad esempio, se vuoi riprodurre la 23a traccia, inserisci il numero "2" e poi "3", salterà a questa traccia per la riproduzione.
5. Pulsante Registra: premere questo pulsante per registrare o trasferire musica.
6. Pulsante Stop: nello stato di riproduzione della scheda CD/USB/TF, premere questo pulsante per interrompere la riproduzione.
7. Pulsante Repeat/program: durante la riproduzione di CD/USB/scheda TF, premere questo tasto per ripetere una singola traccia, cartella o tutte le tracce.

(Nota: è possibile inserire il modello del programma in stato di arresto. L'operazione per il controllo remoto è la stessa dell'host.)

### CD / USB / TF scheda Riproduzione Operazione

1. CD/MP3 playback: 1. Far scorrere il selettore di funzione (17) in posizione CD, aprire lo sportello del CD (15) e posizionare un disco CD sul perno centrale con la direzione corretta, quindi chiudere lo sportello, verrà riprodotto al termine del rilevamento.
2. USB/TF card playback: 2. Inserire la scheda USB/TF che contiene file in formato MP3 nella presa della scheda USB/TF (4), far scorrere il selettore di funzione (17) sulla posizione della scheda USB/TF, verrà riprodotta al termine del rilevamento. (Nota: non supporta la riproduzione di file in formato WMA)
3. Premere Play/Pausa Pulsante (12) per mettere in pausa, premere di nuovo per riprendere la riproduzione normale.
4. Ruotare la manopola di controllo del volume (18) per regolare il livello del volume come desiderato.
5. Premere il pulsante Canzone precedente (8) e il pulsante Canzone successiva (7) per selezionare la traccia che si desidera riprodurre.
6. Premere il pulsante Stop (13) per interrompere la riproduzione.

### Modalità di ripetizione

Premere il pulsante Ripeti (14) una volta per la modalità di ripetizione di un singolo brano, "↺" mostra sul display; Press the Repeat Button (14) again to folder repeat mode, "↺" mostra sul display; Premere nuovamente il pulsante Ripeti (14) per la modalità di ripetizione dell'intero disco, "↻" lampeggia sul display. Premere nuovamente il pulsante Ripeti (14) per annullare la modalità di ripetizione.

### Funzionamento del programma

Nello stato di Stop, premere il pulsante Program (14) per accedere all'impostazione del programma, premere il pulsante Canzone precedente (8) e il pulsante Canzone successiva (7) per selezionare la traccia che si desidera programmare, premere il pulsante Program (14) per confermare, quindi premere il pulsante Play (12) per riprodurre i brani programmati. Se necessario, premere il pulsante Stop (13) per interrompere la riproduzione.

#### Nota:

- Non utilizzare dischi laser di forma irregolare, altrimenti causeranno malfunzionamenti
- Non inserire più di un disco nello scomparto CD contemporaneamente
- Non tentare di aprire lo sportello del vano CD durante la riproduzione
- Non toccare la testina del CD, altrimenti causerà malfunzionamenti

### USB/TF Operazione di Registrazione della Carta

#### Trasferimento di musica da disco a dispositivo USB o scheda TF

1. Spostare il selettore di funzione (17) in posizione CD.
2. Chiudere lo sportello del CD (15) dopo aver posizionato un disco CD sul perno centrale con la direzione corretta, verrà riprodotto al termine del rilevamento.
3. Inserire la scheda USB/TF che con i file in formato MP3 nella presa della scheda USB/TF (4).
4. Premere a lungo il pulsante di Record (6) per registrare il suono del disco.
5. Premere a lungo il pulsante di Record (6) di nuovo per uscire dalla modalità di registrazione e tornare allo stato di riproduzione.

#### Trasferimento di musica da cassetta a dispositivo USB o scheda TF

1. Spostare il selettore di funzione (17) in posizione nastro.
2. Premere il pulsante Stop/Apri sportello della cassetta (20) per aprire lo sportello della cassetta (27) e inserire correttamente il nastro da registrare nello scomparto del nastro, quindi chiudere lo sportello.
3. Premere il pulsante Play (23) per iniziare a giocare.

4. Premere a lungo il pulsante di Record (6) per registrare il suono della cassetta.
- Premere di nuovo a lungo il pulsante di Record (6) per uscire dalla modalità di registrazione e tornare allo stato di riproduzione.

### **Registra una sorgente sonora esterna su un dispositivo USB o su una scheda TF**

1. Spostare il selettore di funzione (17) in posizione USB/TF.
2. Inserire la scheda USB/TF nella presa per scheda USB/TF (4) per riprodurre il file.
3. Premere a lungo il pulsante di Record (6) per registrare la sorgente audio esterna tramite il microfono integrato.
4. Premere a lungo il pulsante di Record (6) di nuovo per uscire dalla modalità di registrazione e tornare allo stato di riproduzione.

### **Riproduce file di registrazione**

1. Spostare il selettore di funzione (17) in posizione USB/TF.
2. Premere a lungo il pulsante Play/Pause (12) per passare alla modalità di riproduzione dei file di registrazione.
3. Premere il pulsante Canzone precedente (8) e il pulsante Canzone successiva (7) per selezionare il file di registrazione che si desidera riprodurre.

### **Radio Operazione**

1. Far scorrere il selettore di funzione (17) in posizione Radio per accendere la radio.
2. Premere ripetutamente il pulsante di selezione della banda (26) per selezionare la banda AM o FM come desiderato.
3. Ruotare la manopola di selezione della stazione (25) per selezionare la stazione desiderata.
4. Ruotare la manopola di controllo del volume (18) per regolare il livello del volume come desiderato.

#### **NOTA:**

1. Se l'unità produce rumore a causa dell'influenza di elettrodomestici nelle vicinanze (come una TV, un computer o una luce fluorescente), è necessario spostare l'unità in un altro luogo per ascoltare la radio.
2. Quando si ascolta la radio FM, alcune frequenze potrebbero essere disturbate dalla frequenza dell'orologio.

### **Per una migliore ricezione**

#### **Banda AM:**

Questa unità dispone di un'antenna ad asta di ferrite incorporata, che fornisce una ricezione adeguata nella maggior parte delle aree. Se la ricezione è debole, ruotare l'unità per migliorare la ricezione.

#### **Banda FM:**

L'antenna telescopica FM è solo per la ricezione FM. Se la ricezione è debole, regolare la lunghezza e l'angolazione dell'antenna.

Funzionamento del Lettore di Cassette

1. Spostare il selettore di funzione (17) in posizione Cassette
2. Premere il pulsante Stop/Apri sportello della cassetta (20) per aprire lo sportello della cassetta (27) e inserire correttamente una cassetta, quindi chiudere lo sportello della cassetta (27).
3. Premere il pulsante Play (23) per riprodurre la traccia della cassetta.
4. Ruotare la manopola di controllo del volume (18) per regolare il livello del volume come desiderato.
5. Premere il pulsante Stop/Apri sportello cassetta (20) per interrompere la riproduzione del nastro.
6. Premere il pulsante Play/Pause (19) per mettere in pausa, premere di nuovo per riprendere la riproduzione normale.
7. Premere il pulsante Avanti veloce (21) o il pulsante Indietro veloce (22) per avanzare velocemente o riavvolgere.

### **Operazione di registrazione**

1. Premere il pulsante Stop/Apri sportello della cassetta (20) per aprire lo sportello della cassetta (27) e inserire correttamente una cassetta, quindi chiudere lo sportello della cassetta (27). Riavvolgere il nastro nella posizione in cui si desidera avviare la registrazione.
2. Per registrare l'audio del disco CD o della scheda USB/TF, far scorrere il selettore di funzione (17) nella posizione di CD o scheda USB/TF, quindi premere il pulsante di Play (23) per riprodurre. Per registrare la stazione radio, far scorrere il selettore di funzione (17) sulla posizione radio e sintonizzarsi sulla stazione radio desiderata.
3. Premere il pulsante di Record (23) per avviare la registrazione, in questo momento verrà premuto il pulsante di Play (23).
4. Se è necessario interrompere la registrazione, premere il pulsante Stop (20) sarà OK.
5. Per registrare una sorgente audio esterna, far scorrere il selettore di funzione (17) nella posizione "Nastro" e premere il pulsante di Record (23) per registrare.

### **Altre operazioni**

Ascolta con le cuffie: utilizzando le cuffie stereo, inseriscile nel jack per cuffie (3).

Se viene visualizzato un messaggio di errore sul display o altri malfunzionamenti del dispositivo, interrompere l'alimentazione e riavviare il dispositivo.

### **Cura e manutenzione**

#### **1. Manutenzione**

Non esporre i compact disc alla luce solare diretta, all'elevata umidità, alle alte temperature o alla polvere, ecc. Per prevenire il rischio di incendi o scosse elettriche, scollegare l'unità dalla fonte di alimentazione AC durante la pulizia. La finitura dell'unità può essere pulita con un panno per la polvere e curata come gli altri mobili. Prestare attenzione durante la pulizia e la pulizia delle parti in plastica.

#### **2. Pulizia della testina**

Dopo ogni 10 ore di riproduzione del nastro, è necessario pulire la testina magnetica e pizzicare il perno del rullo. Dovresti usare cotone con un po' di liquido detergente o alcol per la pulizia o usare nastri per la pulizia asciutti o bagnati.

#### **3. Per evitare cancellazioni accidentali**

Al termine della registrazione, utilizzare un cacciavite o un altro strumento affilato per rompere la pellicola antigraffio sul nastro ed esporre il foro antigraffio.

#### **4. Come usare il nastro per registrare di nuovo**

Coprire il foro antigraffio del nastro con nastro adesivo, è possibile utilizzare il nastro per registrare di nuovo.


### **Accessori**

- 1 x Cavo di alimentazione AC
- 1 x Telecomando
- 1 x Manuale del proprietario

## Specifiche

Fonte di alimentazione	AC110V~60Hz / 220V~50Hz
	DC 9V (6* 1.5V batterie UM-1)
Uscita USB	5V~0.5A
Potenza in uscita	2W+2W
Intervallo di frequenze	FM: 88-108 MHz
	AM: 530-1600kHz
Velocità del nastro	4,76 cm/S±3%
Wow e Flutter	≤0.4%
Risposta in frequenza di riproduzione CD	50Hz-18kHz
Risposta in frequenza di riproduzione del nastro	100Hz-8kHz
Consumo energetico massimo	12W
Impedenza degli altoparlanti	3 pollici, 6 ohm
Dimensioni	262*243*151 mm
Peso	1,98 kg

### ESPOSIZIONE ALL'ENERGIA RF E GUIDA ALLA SICUREZZA DEL PRODOTTO

 ATTENZIONE!	Prima di utilizzare questa radio, leggere attentamente questa guida che contiene importanti istruzioni operative per un utilizzo sicuro e la consapevolezza e il controllo dell'energia RF per la conformità agli standard e alle normative applicabili.
--	--

#### Regolamenti del governo locale

Quando le radio vengono utilizzate come conseguenza dell'occupazione, i regolamenti del governo locale richiedono agli utenti di essere pienamente consapevoli e in grado di controllare la loro esposizione per soddisfare i requisiti professionali. La consapevolezza dell'esposizione può essere facilitata dall'uso di un'etichetta del prodotto che indirizza gli utenti a informazioni specifiche sulla consapevolezza dell'utente.

La radio Reteless ha un'etichetta del prodotto per l'esposizione RF.

Inoltre, il manuale utente Reteless o il libretto di sicurezza separato include le informazioni e le istruzioni operative necessarie per controllare l'esposizione RF e per soddisfare i requisiti di conformità.

#### Modifica e regolazione non autorizzate

Cambiamenti o modifiche non espressamente approvati dalla parte responsabile della conformità possono invalidare l'autorità dell'utente concessa dai dipartimenti di gestione radio del governo locale di utilizzare questa radio e non devono essere effettuati.

Per soddisfare i requisiti corrispondenti, le regolazioni del trasmettitore devono essere effettuate solo da o sotto la supervisione di una persona certificata come tecnicamente qualificata per eseguire la manutenzione e le riparazioni del trasmettitore nei servizi mobili e fissi terrestri privati, come certificato da un'organizzazione rappresentativa dell'utente di tali Servizi.

La sostituzione di qualsiasi componente del trasmettitore (cristallo, semiconduttore, ecc.), non autorizzata dall'autorizzazione dell'apparecchiatura dei dipartimenti di gestione radio del governo locale per questa radio potrebbe violare le regole.

#### Requisiti FCC:

• Questo dispositivo è conforme alla parte 15 delle norme FCC.

Il funzionamento è soggetto in due condizioni seguenti:

- (1) Questo dispositivo non può causare interferenze dannose,
- (2) Questo dispositivo deve accettare qualsiasi interferenza ricevuta, incluse le interferenze che potrebbero causare un funzionamento indesiderato.

#### Requisiti CE:

• (Dichiarazione di conformità UE semplice) Henan Eshow Electronic Commerce Co., Ltd dichiara che il tipo di apparecchiatura radio è conforme ai requisiti essenziali e ad altre disposizioni pertinenti della Direttiva RED 2014/53/EU e della Direttiva ROHS 2011/65/EU e la Direttiva WEEE 2012/19/EU; il testo completo della dichiarazione di conformità UE è disponibile al seguente indirizzo web: [www.reteless.com](http://www.reteless.com).

• Smaltimento

Il simbolo del bidone della spazzatura barrato sul prodotto, sulla documentazione o sulla confezione ricorda che nell'Unione Europea, tutti i prodotti elettrici ed elettronici, le batterie e gli accumulatori (batterie riciclabili) devono essere portati nei punti di raccolta designati alla fine del vita lavorativa.

- Non smaltire questi prodotti come rifiuti urbani indifferenziati.

- Smaltirli secondo le leggi della tua zona.



#### Requisiti IC:

Apparecchio radio esente da licenza

Questo dispositivo contiene trasmettitori / ricevitori esenti da licenza conformi agli RSS esenti da licenza del Canada per innovazione, scienza e sviluppo economico.

Il funzionamento è autorizzato alle seguenti due condizioni:

- (1) This device may not cause interference.
  - (2) This device must accept any interference, including interference that may cause undesired operation of the device.
- Le présent appareil est conforme aux CNR d'Industrie Canada applicables aux appareils radio exempts de licence. L'exploitation est autorisée aux deux conditions suivantes :

- (1) l'appareil ne doit pas produire de brouillage;  
(2) l'utilisateur de l'appareil doit accepter tout brouillage radioélectrique subi, même si le brouillage est susceptible d'en compromettre le fonctionnement.

#### Dichiarazioni di avvertenza RF

Il dispositivo è stato valutato per soddisfare i requisiti generali di esposizione alle radiofrequenze. Il dispositivo può essere utilizzato in condizioni di esposizione portatile senza limitazioni.

#### Informazioni sull'esposizione RF

• NON azionare la radio senza un'antenna adeguata collegata, poiché ciò potrebbe danneggiare la radio e potrebbe anche causare il superamento dei limiti di esposizione RF. Un'antenna adeguata è l'antenna fornita con questa radio dal produttore o un'antenna specificamente autorizzata dal produttore per l'uso con questa radio, e il guadagno dell'antenna non deve superare il guadagno specificato dal produttore dichiarato.

- Per evitare tali interferenze, spegnere la radio nelle aree in cui sono presenti segnali per farlo.
- NON azionare il trasmettitore in aree sensibili alle radiazioni elettromagnetiche come ospedali, aerei e siti di esplosione.

#### Evita il rischio di soffocamento



Parti piccole. Non adatto per bambini sotto i 3 anni.

#### Proteggi il tuo udito:



**AVVERTIMENTO**

- Usa il volume più basso necessario per svolgere il tuo lavoro.
- Alzare il volume solo se ci si trova in un ambiente rumoroso.
- Abbassare il volume prima di aggiungere cuffie o auricolari.
- Limitare il tempo di utilizzo di cuffie o auricolari ad alto volume.
- Quando si utilizza la radio senza auricolare o auricolare, non posizionare l'altoparlante della radio direttamente sull'orecchio.
- Fare attenzione con gli auricolari, forse una pressione sonora eccessiva da auricolari e cuffie può causare la perdita dell'udito

Nota: l'esposizione a rumori forti provenienti da qualsiasi sorgente per lunghi periodi di tempo può influire temporaneamente o permanentemente sull'udito. Più alto è il volume della radio, meno tempo è necessario prima che l'udito possa essere danneggiato.

I danni all'udito causati da rumori forti a volte non sono inizialmente rilevabili e possono avere un effetto cumulativo.



#### Accessori approvati



**AVVERTIMENTO**

- Questa radio è conforme alle linee guida sull'esposizione RF quando utilizzata con gli accessori Retekeess forniti o designati per il prodotto. L'uso di altri accessori potrebbe non garantire la conformità con le linee guida sull'esposizione RF e potrebbe violare le normative.

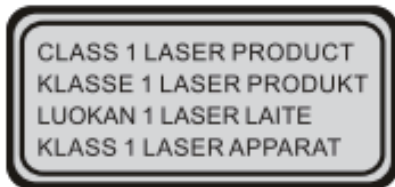
Per un elenco degli accessori approvati da Retekeess per il proprio modello di radio, visitare il seguente sito Web:  
<http://www.Retekeess.com>

## Características

- CD/CD-R/RW/MP3 reproductor
- USB/TF puerto de entrada de tarjeta
- Transferencia de música desde un disco / cinta de casete / fuente de sonido externa a un dispositivo USB o tarjeta TF
- Radio de banda AM / FM
- Grabación y reproducción de cintas de casete

NOTA: LEA ATENTAMENTE LAS SIGUIENTES INSTRUCCIONES ANTES DE UTILIZAR ESTE EQUIPO.

1. Siga los pasos prescritos mientras usa el reproductor de CD, o podría sufrir radiación dañina. Este reproductor de CD es un producto LÁSER DE CLASE 1 (láser de clase I).



2. Cuando la cubierta del CD se abre o se cierra por negligencia, se generará una luz láser invisible, el artículo debe evitar la irradiación del haz de radiación.



3. No toque la cabeza calva a voluntad, de lo contrario, afectará el rendimiento de la reproducción.



## Instrucción de seguridad importante

1. No utilice este producto cerca del agua y la humedad, por ejemplo: cerca de una bañera, lavabo, fregadero de cocina o lavadero; en un sótano húmedo; o cerca de una piscina.
2. No lo instale cerca de fuentes de calor como radiadores, rejillas de calefacción, estufas u otros aparatos (incluidos amplificadores) que produzcan calor.
3. No bloquee las aberturas de ventilación. Las ranuras y aberturas en el gabinete y en la parte posterior o inferior se proporcionan para ventilación, para garantizar un funcionamiento confiable del producto y para protegerlo del sobrecalentamiento. Estas aberturas no deben ser bloqueadas o cubiertas. Las aberturas nunca deben bloquearse colocando el producto sobre una cama, sofá, alfombra u otras superficies similares. Este producto nunca debe colocarse cerca o sobre un radiador o fuente de calor.
4. Entrada de objetos y líquidos. Nunca introduzca objetos de ningún tipo en este producto a través de las aberturas, ya que pueden tocar puntos de voltaje peligrosos o cortocircuitar piezas que podrían provocar un incendio o una descarga eléctrica. Nunca derrame ni rocíe ningún tipo de líquido sobre el producto.
5. Desenchufe este producto de la toma de corriente antes de limpiarlo. No usar limpiadores líquidos o en aerosol. Utilice únicamente un paño seco para limpiar.
6. Utilice únicamente los aditamentos / accesorios especificados por el fabricante.

## Uso de energía y precauciones importante

Antes de conectar la alimentación de AC o instalar las baterías, asegúrese de que el selector de función esté en la posición de apagado. Esta máquina solo puede conectar o usar la batería especificada y la energía doméstica de AC.

## Para operar la unidad con alimentación de AC

Enchufe un extremo del cable de alimentación de AC en el enchufe de alimentación de AC y el otro extremo en una toma de corriente doméstica de 220V.

- Cuando el enchufe de AC se insertó en el conector AC IN, la energía de la batería se cortará automáticamente.
- Cuando el interruptor está en la posición de apagado, la fuente de alimentación de la máquina no está completamente cortada, y la fuente de alimentación solo se puede cortar completamente desenchufando el enchufe.
- Al desenchufar el cable de alimentación de AC, debe sujetar la parte del enchufe en lugar de solo tirar del cable de alimentación
- Nunca toque el enchufe de alimentación de AC con las manos mojadas. De lo contrario, podría provocar un incendio o una descarga eléctrica.
- Proteja el cable de alimentación para que no se pise ni se pellizque, especialmente en los enchufes, los receptáculos de conveniencia y el punto por donde salen del aparato.

## Operación con batería

Instale (o reemplace las baterías cuando estén agotadas) como se muestra a continuación

1. Deslice el compartimiento de la batería (28) hacia afuera y luego levántelo.
2. Inserte 6 pilas de tipo um1 de 1,5 V (no incluidas) de acuerdo con el diagrama de polaridad dentro del compartimento de las pilas.

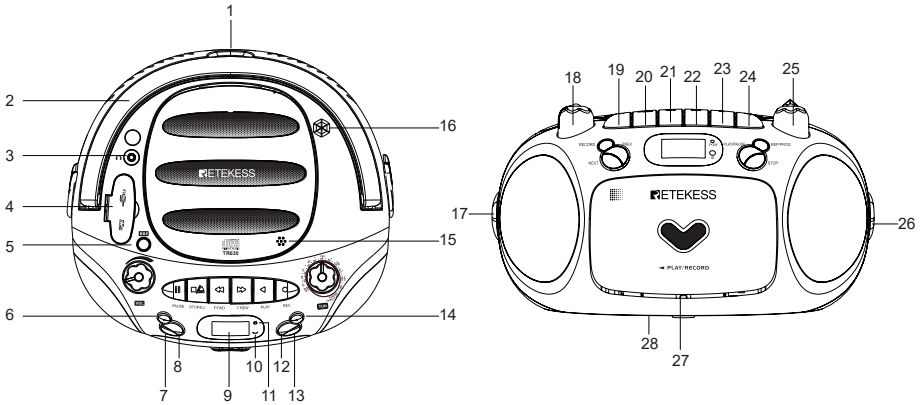


3. Cierre el compartimento de la batería.

### Precauciones

- 1.Desenchufe el aparato o retire la batería durante tormentas eléctricas o cuando no se utilice durante periodos prolongados para evitar daños o lesiones por una posible fuga de la batería.
- 2.No mezcle diferentes tipos de pilas o pilas viejas con nuevas. Y las baterías no deben cargarse ni calentarse. Cuando retire la batería agotada, si la batería tiene fugas, retire la batería y limpie el líquido a fondo. Las baterías usadas deben colocarse en lugares de reciclaje designados oficialmente para evitar la contaminación ambiental.
- 3.La duración de la batería es limitada para jugar, utilice la alimentación de AC tanto como sea posible.
- 4.Cuando utilice baterías, el cable de alimentación de AC debe estar desenchufado de la unidad. Cuando la velocidad de la cinta disminuye, el volumen disminuye o el sonido se distorsiona, reemplace las baterías
- 5.La batería (paquete de baterías o batería ensamblada) no debe usarse en un ambiente sobrecalentado (como luz solar directa, llamas abiertas o ambientes similares).

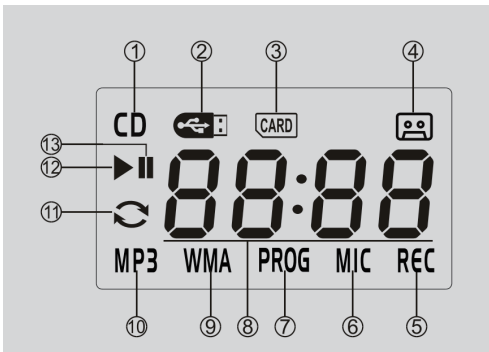
### Ubicación de los controles



- 1.AC ~ Enchufe (parte trasera)
2. Mango de transporte
3. Toma de auriculares
4. Toma de tarjeta USB / TF
5. Botón de graves
6. Botón de grabación
7. Botón de canción siguiente
8. Botón de canción anterior
9. Pantalla LCD
10. Receptor de control remoto
11. Indicador de potencia
12. Botón de reproducción / pausa
13. Botón de parada
14. Botón de repetición / programa

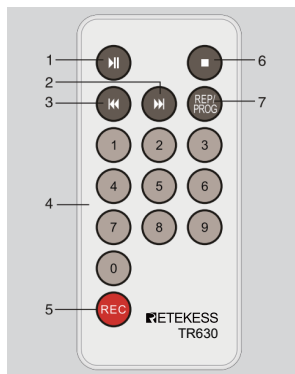
15. Puerta CD
16. Antena telescópica FM
17. Selector de funciones
18. Perilla de control de volumen
19. Botón de pausa (casete)
20. Botón de apertura de la puerta de parada / cinta de casete
21. Botón de avance rápido (casete)
22. Botón de retroceso rápido (casete)
23. Botón de reproducción (casete)
24. Botón de grabación (casete)
25. Perilla de selección de estación
26. Botón de selección de banda
27. Puerta de cinta de casete
28. Compartimento de la batería (inferior)

### Pantalla LCD



1. Modo de reproducción de CD
  2. Modo de reproducción USB
  3. Modo de reproducción de tarjeta TF
  4. Modo de reproducción de cinta
  5. Modo de grabación
  6. Modo de grabación externa
  7. Modo de programa
  8. Tiempo de juego
  9. Reproducción en formato WMA
  10. Reproducción en formato MP3
  11. Play en bucle
  12. Modo de juego
  13. Modo de pausa
- \* MModo de repetición de una sola canción  
 \* modo de repetición de carpeta  
 \* Parpadeando para el modo de repetición de disco completo

## Control remoto



1. Botón de reproducción / pausa
2. Botón de siguiente canción
3. Botón de canción anterior
4. Teclado numérico
5. Botón de grabación
6. Botón de parada
7. Botón de repetición / programa

### Operación de control remoto

1. Botón de reproducción / pausa: durante la reproducción de la tarjeta CD / USB / TF, presione este botón para pausar la reproducción y vuelva a presionar este botón para reanudar la reproducción
  2. Botón de siguiente canción: en el estado de reproducción de la tarjeta CD / USB / TF, presione esta tecla para seleccionar la siguiente canción para reproducir
  3. Botón de canción anterior: en el estado de reproducción de la tarjeta CD / USB / TF, presione esta tecla para seleccionar la canción anterior para reproducir
  4. Teclado numérico: al reproducir una tarjeta CD / USB / TF, puede usar las teclas numéricas para seleccionar una canción específica. Por ejemplo, si desea reproducir la pista 23, ingrese el número "2" y luego "3", saltará a esta pista para reproducir
  5. Botón de grabación: presione este botón para grabar o transferir música
  6. Botón de parada: en el estado de reproducción de la tarjeta CD / USB / TF, presione este botón para detener la reproducción.
  7. Botón de repetición / programa: durante la reproducción de la tarjeta CD / USB / TF, presione esta tecla para repetir una sola pista, carpeta o todas las pistas.
- (Nota: puede ingresar el modelo del programa en estado de parada. La operación para el control remoto es la misma que la del host)

### Operación de reproducción de tarjeta CD / USB / TF

1. Reproducción de CD / MP3: Deslice el selector de función (17) a la posición CD, abra la puerta del CD (15) y coloque un disco CD en el eje central con la dirección correcta, luego cierre la puerta, se reproducirá después de la detección esta completado.
2. Reproducción de la tarjeta USB / TF: inserte la tarjeta USB / TF que tiene archivos en formato MP3 en el enchufe de la tarjeta USB / TF (4), deslice el selector de función (17) a la posición de la tarjeta USB / TF, se reproducirá después de la detección está completa. (Nota: no admite la reproducción de archivos en formato WMA)
3. Presione el botón Reproducir / Pausa (12) para pausar, presione nuevamente para reanudar la reproducción normal
4. Gire la perilla de control de volumen (18) para ajustar el nivel de volumen como desee.
5. Presione el botón de canción anterior (8) y el botón de canción siguiente (7) para seleccionar la pista que desea reproducir.
6. Presione el botón Detener (13) para detener la reproducción.

### Modo de repetición

Presione el botón de repetición (14) una vez para el modo de repetición de una sola canción, "↺" se muestra en la pantalla; Presione el botón de repetición (14) nuevamente para el modo de repetición de carpeta, "↻" se muestra en la pantalla; Presione el botón de repetición (14) una vez más para el modo de repetición de disco completo, "↻" parpadea en la pantalla. Presione el botón de repetición (14) nuevamente para cancelar el modo de repetición.

### Operación del programa

En el estado de parada, presione el botón de programa (14) para ingresar a la configuración del programa, presione el botón de canción anterior (8) y el botón de canción siguiente (7) para seleccionar la pista que desea programar, presione el botón de programa (14) para confirme, luego presione el botón Reproducir (12) para reproducir las pistas programadas. Presione el botón Detener (13) para detener la reproducción si es necesario.

#### Nota:

No utilice discos láser de forma irregular, de lo contrario, provocará un mal funcionamiento  
No coloque más de un disco en el compartimento de CD al mismo tiempo  
No intente abrir la puerta del compartimento del CD durante la reproducción  
No toque el cabezal del CD, de lo contrario, causará un mal funcionamiento

### Operación de grabación de tarjeta USB / TF

#### Transferencia de música desde un disco a un dispositivo USB o tarjeta TF

1. Deslice el selector de función (17) a la posición CD
2. Cierre la puerta del CD (15) después de colocar un disco CD en el eje central en la dirección correcta, se reproducirá después de que se complete la detección.
3. Inserte la tarjeta USB / TF que tiene archivos en formato MP3 en el conector para tarjeta USB / TF (4)
4. Mantenga presionado el botón de grabación (6) para grabar el sonido del disco
5. Mantenga pulsado el botón de grabación (6) de nuevo para salir del modo de grabación y volver al estado de reproducción.

### Transferencia de música desde una cinta de casete a un dispositivo USB o tarjeta TF

1. Deslice el selector de función (17) a la posición Tape
2. Presione el botón de parada / apertura de la puerta de la cinta de casete (20) para abrir la puerta de la cinta de casete (27) y coloque la cinta a grabar en el compartimento de la cinta correctamente, luego cierre la puerta.

3. Presione el botón Reproducir (23) para comenzar a jugar.
4. Mantenga presionado el botón de grabación (6) para grabar el sonido de la cinta de casete
5. Mantenga pulsado el botón de grabación (6) de nuevo para salir del modo de grabación y volver al estado de reproducción.

### **Grabe la fuente de sonido externa en un dispositivo USB o tarjeta MF**

1. Deslice el selector de función (17) a la posición USB / TF
2. Inserte la tarjeta USB / TF en el enchufe de la tarjeta USB / TF (4) para reproducir el archivo
3. Mantenga presionado el botón de grabación (6) para grabar la fuente de audio externa a través del micrófono incorporado
4. Mantenga pulsado el botón de grabación (6) de nuevo para salir del modo de grabación y volver al estado de reproducción.

### **Reproducir archivos de grabación**

1. Deslice el selector de función (17) a la posición USB / TF
2. Mantenga presionado el botón Reproducir / Pausa (12) para cambiar al modo de reproducción de archivos de grabación
3. Presione el botón de canción anterior (8) y el botón de canción siguiente (7) para seleccionar el archivo de grabación que desea reproducir.

### **Operación de radio**

1. Deslice el selector de función (17) a la posición Radio para encender la radio.
2. Presione el botón de selección de banda (26) repetidamente para seleccionar la banda AM o FM como desee
3. Gire la Perilla de selección de estación (25) para seleccionar la estación deseada.
4. Gire la perilla de control de volumen (18) para ajustar el nivel de volumen como desee.

#### **NOTA:**

1. Si la unidad produce ruido debido a la influencia de aparatos cercanos (como un televisor, computadora o luz fluorescente), debe mover la unidad a otro lugar para escuchar la radio.
2. Al escuchar la radio FM, algunas frecuencias pueden verse interferidas por la frecuencia del reloj.

### **Para una mejor recepción**

#### **Banda AM:**

Esta unidad tiene una antena de varilla de ferrita incorporada, que proporciona una recepción adecuada en la mayoría de las áreas. Si la recepción es débil, gire la unidad para mejorar la recepción.

#### **Banda FM :**

La antena telescópica de FM es solo para recepción de FM. Si la recepción es débil, ajuste la longitud y el ángulo de la antena.

#### **Funcionamiento del reproductor de cassetes**

1. Deslice el selector de funciones (17) a la posición de cinta de casete
2. Presione el botón de parada / apertura de la puerta de la cinta de casete (20) para abrir la puerta de la cinta de casete (27) y coloque una cinta de casete correctamente, luego cierre la puerta de la cinta de casete (27).
3. Presione el botón Reproducir (23) para reproducir la pista de la cinta de casete.
4. Gire la perilla de control de volumen (18) para ajustar el nivel de volumen como desee.
5. Presione el botón Detener / Apertura de la puerta de la cinta de casete (20) para detener la reproducción de la cinta.
6. Presione el botón Reproducir / Pausa (19) para pausar, presione nuevamente para reanudar la reproducción normal
7. Presione el botón de avance rápido (21) o el botón de retroceso rápido (22) para avanzar o retroceder rápidamente

### **Operación de registro**

1. Presione el botón de parada / apertura de la puerta de la cinta de casete (20) para abrir la puerta de la cinta de casete (27) y coloque una cinta de casete correctamente, luego cierre la puerta de la cinta de casete (27). Rebobine la cinta hasta la posición en la que desee comenzar a grabar.
2. Para grabar el sonido de un disco CD o tarjeta USB / TF, deslice el selector de función (17) a la posición del CD o tarjeta USB / TF, luego presione el botón Reproducir (23) para reproducir. Para grabar la estación de radio, deslice el selector de función (17) a la posición de radio y sintonice la estación de radio deseada.
3. Presione el botón de grabación (23) para comenzar a grabar, en este momento se presionará el botón de reproducción (23).
4. Si necesita detener la grabación, presione el botón Detener (20) y estará bien.
5. Para grabar una fuente de audio externa, deslice el selector de función (17) a la posición "Cinta" y presione el botón Grabar (23) para grabar.

### **Otras operaciones**

Escuche con auriculares: con auriculares estéreo, insértelos en el conector para auriculares (3).

Si hay un mensaje de error en la pantalla u otro mal funcionamiento del dispositivo, corte la alimentación y luego reinicie el dispositivo.

### **Cuidado y mantenimiento**

#### **1.Mantenimiento**

No exponga los discos compactos a la luz solar directa, alta humedad, altas temperaturas o polvo, etc.

Para evitar incendios o descargas eléctricas, desconecte la unidad de la fuente de alimentación de CA cuando la limpie. El acabado de su unidad puede limpiarse con un paño para el polvo y cuidarse como cualquier otro mueble. Tenga cuidado al limpiar y secar las piezas de plástico.

#### **2.Lavado de cabeza**

Después de cada 10 horas de reproducción de la cinta, debe limpiar el cabezal magnético y apretar el eje del rodillo. Debe usar algodón con un poco de líquido limpiador o alcohol para limpiar o usar cintas de limpieza secas o húmedas.

#### **3.Para evitar borrado accidental**

Una vez completada la grabación, use un destornillador u otra herramienta afilada para romper la película a prueba de rayones en la cinta y exponer el orificio a prueba de rayones.

#### **4.Cómo usar la cinta para volver a grabar**

Cubra el orificio de la cinta a prueba de rayones con cinta adhesiva, puede usar la cinta para grabar nuevamente

### **Accesorios**

1 x AC Cable de alimentación


1 x Control remoto

1 x Manual de usuario

## Specifiche

Fuente de alimentación	AC110V~60Hz / 220V~50Hz
	DC 9V ( 6* 1.5V UM-1 pilas)
Salida USB	5V~0.5A
Potencia de salida	2W+2W
Rango de frecuencia	FM: 88-108MHz
	AM: 530-1600kHz
Velocidad de cinta	4.76CM/S±3%
Wow y Flutter	≤0.4%
Respuesta de frecuencia de reproducción de CD	50Hz-18kHz
Respuesta de frecuencia de reproducción de cinta	100Hz-8kHz
Consumo máximo de energía	12W
Impedancia de los altavoces	3in, 6ohm
Tamaño	262*243*151mm
Peso	1.98kg

## GUÍA DE SEGURIDAD DEL PRODUCTO Y EXPOSICIÓN A ENERGÍA DE RF

 ATTENZIONE!	Antes de usar esta radio, lea esta guía que contiene importantes instrucciones de funcionamiento para un uso seguro y conciencia y control de la energía de radiofrecuencia para el cumplimiento de las normas y regulaciones aplicables.
--	---

### Regulaciones del gobierno local

Cuando se utilizan radios como consecuencia del empleo, las Regulaciones del Gobierno Local requieren que los usuarios sean plenamente conscientes y puedan controlar su exposición para cumplir con los requisitos ocupacionales. El conocimiento de la exposición se puede facilitar mediante el uso de una etiqueta de producto que dirija a los usuarios a información específica de conocimiento del usuario. Su radio Retekeess tiene una etiqueta de producto de exposición a RF. Además, su manual de usuario de Retekeess o su folleto de seguridad independiente incluye información e instrucciones de funcionamiento necesarias para controlar su exposición a RF y satisfacer los requisitos de cumplimiento.

### Modificación y ajuste no autorizados

Los cambios o modificaciones no aprobados expresamente por la parte responsable del cumplimiento pueden anular la autoridad del usuario otorgada por los departamentos de administración de radio del gobierno local para operar esta radio y no deben realizarse. Para cumplir con los requisitos correspondientes, los ajustes del transmisor deben ser realizados únicamente por o bajo la supervisión de una persona certificada como técnicamente calificada para realizar el mantenimiento y las reparaciones del transmisor en los servicios móviles y fijos terrestres privados según lo certificado por una organización representativa del usuario de esos servicios. El reemplazo de cualquier componente del transmisor (cristal, semiconductor, etc.) no autorizado por la autorización del equipo de los departamentos de administración de radio del gobierno local para esta radio podría violar las reglas.

### Requisitos de la FCC:

- Este dispositivo cumple con la parte 15 de las reglas de la FCC. El funcionamiento está sujeto a las dos condiciones siguientes:
  - (1) Este dispositivo no puede causar interferencias perjudiciales y
  - (2) este dispositivo debe aceptar cualquier interferencia recibida, incluidas las interferencias que puedan causar un funcionamiento no deseado.

### Requisitos CE:

- (Declaración de conformidad simple de la UE) Henan Eshow Electronic Commerce Co., Ltd declara que el tipo de equipo de radio cumple con los requisitos esenciales y otras disposiciones relevantes de la Directiva RED 2014/53 / EU y la Directiva ROHS 2011/65 / EU y la Directiva WEEE 2012/19 / EU; el texto completo de la declaración de conformidad de la UE está disponible en la siguiente dirección de Internet: [www.retekeess.com](http://www.retekeess.com).

#### •Disposición

El símbolo del contenedor con ruedas tachado en su producto, literatura o embalaje le recuerda que en la Unión Europea, todos los productos eléctricos y electrónicos, baterías y acumuladores (baterías recargables) deben llevarse a los lugares de recolección designados al final de su vida laboral. No deseche estos productos como residuos municipales sin clasificar. Deséchelos de acuerdo con las leyes de su zona.



### Requisitos de IC:

Aparatos de radio exentos de licencia

Este dispositivo contiene transmisores / receptores exentos de licencia que cumplen con los RSS exentos de licencia de Innovación, Ciencia y Desarrollo Económico de Canadá. El funcionamiento está sujeto a las dos condiciones siguientes:

- (1) This device may not cause interference.
  - (2) This device must accept any interference, including interference that may cause undesired operation of the device.
- Le présent appareil est conforme aux CNR d'Industrie Canada applicables aux appareils radio exempts de licence. L'exploitation est autorisée aux deux conditions suivantes :
- (1) l'appareil ne doit pas produire de brouillage;
  - (2) l'utilisateur de l'appareil doit accepter tout brouillage radioélectrique subi, même si le brouillage est susceptible d'en compromettre le fonctionnement.

### Declaraciones de advertencia de RF

El dispositivo ha sido evaluado para cumplir con los requisitos generales de exposición a RF. El dispositivo se puede utilizar en condiciones de exposición portátil sin restricciones.

### Información de exposición a RF

- NO opere la radio sin una antena adecuada conectada, ya que esto puede dañar la radio y también puede hacer que exceda los límites de exposición a RF. Una antena adecuada es la antena suministrada con esta radio por el fabricante o una antena específicamente autorizada por el fabricante para su uso con esta radio, y la ganancia de la antena no debe exceder la ganancia especificada por el fabricante declarada.
- Para evitar interferencias, apague la radio en áreas donde se coloquen letreros para hacerlo.
- NO opere el transmisor en áreas sensibles a la radiación electromagnética, como hospitales, aviones y sitios de detonación.

### Evite el peligro de asfixia



Pequeñas partes. No apto para niños menores de 3 años.

### Proteja su audición:



**ADVERTENCIA**

- Utilice el volumen más bajo necesario para hacer su trabajo.
- Suba el volumen solo si se encuentra en un entorno ruidoso.
- Baje el volumen antes de agregar auriculares o audífonos.
- Limite la cantidad de tiempo que usa auriculares o auriculares a un volumen alto.
- Cuando use la radio sin un auricular o auricular, no coloque el altavoz de la radio directamente contra su oído
- Tenga cuidado con los auriculares, ya que es posible que la presión sonora excesiva de los auriculares y los auriculares pueda causar pérdida de audición.

Nota: La exposición a ruidos fuertes de cualquier fuente durante períodos prolongados de tiempo puede afectar su audición de forma temporal o permanente. Cuanto más alto sea el volumen de la radio, menos tiempo se necesitará antes de que su audición se vea afectada. El daño auditivo por ruidos fuertes a veces es indetectable al principio y puede tener un efecto acumulativo.



### Accesorios aprobados



**ADVERTENCIA**

- Esta radio cumple con las pautas de exposición a RF cuando se usa con los accesorios Retekeess suministrados o designados para el producto. El uso de otros accesorios puede no asegurar el cumplimiento de las pautas de exposición a RF y puede violar las regulaciones.

• Para obtener una lista de los accesorios aprobados por Retekeess para su modelo de radio, visite el siguiente sitio web: <http://www.Retekeess.com>

# Guarantee

Model Number: \_\_\_\_\_

Serial Number: \_\_\_\_\_

Purchasing Date: \_\_\_\_\_

Dealer: \_\_\_\_\_ Telephone: \_\_\_\_\_

User's Name: \_\_\_\_\_ Telephone: \_\_\_\_\_

Country: \_\_\_\_\_ Address: \_\_\_\_\_

Post Code: \_\_\_\_\_ Email: \_\_\_\_\_

## Remarks:

1. This guarantee card should be kept by the user, no replament if lost.
2. Most new products carry a two-year manufacturer's warranty from the date of purchase.
3. The user can get warranty and after-sales service as below:  
Contact the seller where you buy.  
Products Repaired by Our Local Repair Center
4. For warranty service, you will need to provide a receipt proof of purchase from the actual seller for verification

## Exclusions from Warranty Coverage:

1. To any product damaged by accident.
2. In the event of misuse or abuse of the product or as a result of unauthorized alterations or repairs.
3. If the serial number has been altered, defaced, or removed.



CE FCC RoHS 

**Henan Eshow Electronic Commerce Co., Ltd**

Add: 7/F, Sanjiang Building, No.170 Nanyang Road, Huiji District,  
Zhengzhou, Henan, China

Facebook: [facebook.com/RetekessRadio](https://facebook.com/RetekessRadio)

E-mail: [support@retekess.com](mailto:support@retekess.com)

Web: [www.retekess.com](http://www.retekess.com)



MADE IN CHINA