

RETEKESS

Metal Standalone Keypad Access Control User Manual



CONTENTS

Description	01
Features	01
Specifications	01
Packing List	02
Installation	02
Wiring	02
To Reset to Factory Default	04
Sound and Light indication	04
Detailed Programming Guide	04
The unit operating as a Wiegand Output Reader	08

INHALT

Beschreibung	01
Eigenschaften	01
Spezifikationen	01
Paketdetails	02
Installation	02
Verkabelung	02
Zurücksetzen auf Werkseinstellungen	04
Gebrauchsanweisungen	04
Detaillierte Programmieranleitung	04
Das Gerät arbeitet als Wiegand Output Reader	08

Catalogue

Description	01
Caractéristiques	01
Spécification	01
Contenu de l'emballage	02
Installation	02
Câblage	02
Pour réinitialiser les réglages par défaut	04
Indicateur de bip sonore et les témoins lumineux	04
Guide de programmation détaillé	04
L'unité fonctionnant comme un lecteur de sortie Wiegand	08

CONTENUTO

Descrizione	01
Caratteristiche	01
Specificazione	01
Lista imballaggio	02
Installazione	02
Schema cablaggio	02
Ripristinare i valori predefiniti di fabbrica	04
Indicazione suono e LED	04
Guida alla programmazione dettagliata	04
L'unità funziona come un lettore di uscita Wiegand	08

CONTENIDO

Descripción	01
Caractéristiques	01
Especificaciones	01
Lista de embalaje	02
Instalación	02
Cable	02
Restaura la configuración de fábrica	04
Indicación de sonido y luz	04
Guía detallada de programación	04
La unidad funciona como un lector de salida Wiegand	08

WARNING

09

Description

The unit is single door multifunction standalone access controller or a Wiegand output keypad or card reader. It is suitable for mounting either indoor or outdoor in harsh environments. It is housed in a strong, sturdy and vandal proof Zinc Alloy electroplated case which is available in either a bright silver or matt silver finish. The electronics are fully potted so the unit is waterproof and conforms to IP68. This unit supports up to 2000 users in either a Card, 4 digit PIN, or a Card + PIN option. The inbuilt card reader supports 125KHZ EM cards. The unit has many extra features including lock output current short circuit protection, Wiegand output, and a backlit keypad. These features make the unit an ideal choice for door access not only for small shops and domestic households but also for commercial and industrial applications such as factories, warehouses, laboratories, banks and prisons.

Features

- Waterproof, conforms to IP68
- Strong Zinc Alloy Electroplated anti-vandal case
- Full programming from the keypad
- 2000 uses, supports Card, PIN, Card + PIN
- Can be used as a stand alone keypad
- Backlight keys
- Wiegand 26 input for connection to external reader
- Wiegand 26 output for connection to a controller
- Adjustable Door Output time, Alarm time, Door Open time
- Very low power consumption (30mA)
- Fast operating speed, <20ms with 2000 users
- Lock output current short circuit protection
- Easy to install and program
- Red, Yellow and Green LEDS display the working status

Specifications

Operating Voltage	DC 12V \pm 10%
User Capacity	2000
Card Reading Distance	3-6 cm
Active Current	<60mA
Idle Current	25 \pm 5 mA
Lock Output Load	Max 3A
Operating Temperature	-45 $^{\circ}$ C ~60 $^{\circ}$ C
Operating Humidity	10%- 90% RH
Waterproof	Conforms to IP68
Adjustable Door Relay time	0 -99 seconds
Wiegand Interface	Wiegand 26 bit
Wiring Connections	Electric Lock, Exit Button, External Alarm, External reader

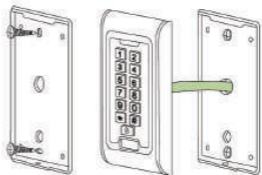
Packing List

Name	Quantity	Remarks
Keypad	1	
User manual	1	
Screw driver	1	Φ20mm×60mm,Special for keypad
Rubber plug	2	Φ6mm×30 mm, used for fixing
Self tapping screws	2	Φ4mm×28 mm, used for fixing
Star screws	1	Φ3mm×6mm, used for fixing

Please ensure that all the above contents are correct. If any are missing please notify the supplier of the unit.

Installation

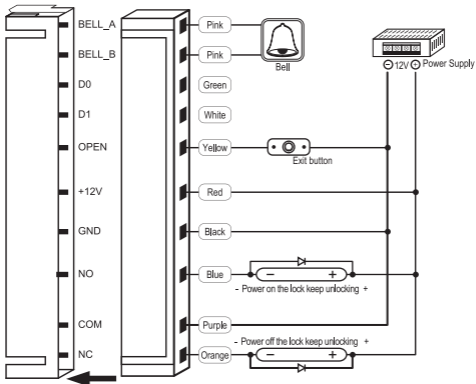
- Remove the back cover from the keypad using the supplied special screw driver
- Drill 2 holes on the wall for the Self tapping screws and 1 hole for the cable
- Put the supplied rubber bungs into the two holes
- Fix the back cover firmly on the wall
- Thread the cable through the cable hole
- Attach the keypad to the back cover



Wiring

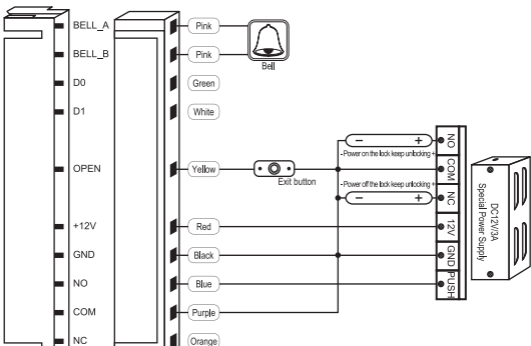
Colour	Function	Description
Pink	BELL_A	Doorbell button one end
Pink	BELL_B	Doorbell button to the other end
Green	D0	WG output D0
White	D1	WG output D1
Yellow	OPEN	Exit button one end(the other end connected GND)
Red	12V+	12V + DC Regulated Power Input
Black	GND	12V - DC Regulated Power Input
Blue	NO	Relay normally-on end(Connect positive electric lock "-")
Purple	COM	Relay Public end, connect GND
Orange	NC	Relay Closed end(connect negative electric lock "-")

common power supply diagram:



Connect

special power supply diagram:



Connect

To Reset to Factory Default

- Disconnect power from the unit
- Press and hold # key whilst powering the unit back up
- On hearing two "Di" release # key, system is now back factory settings

NOTE: note only installer data is restored, user data will not be affected

Sound and Light indication

Operation Status	Red Light	Green Light	Yellow Light	Buzzer
Power on	-	Bright	-	Di
Stand by	Bright	-	-	-
Press keypad	-	-	-	Di
Operation successful	-	Bright	-	Di
Operation failed	-	-	-	DiDiDi
Enter into programming mode	Bright	-	-	
In the programming mode	-	-	Bright	Di
Exit from the programming mode	Bright	-	-	Di
Open the door	-	Bright	-	Di

Detailed Programming Guide

1. User Settings

To enter the programming mode	* <input type="text" value="Master code"/> # 999999 is the default factory master code
To exit from the programming mode	*
Note that to undertake the following programming the master user must be logged in	
To change the master code	0 <input type="text" value="New code"/> # <input type="text" value="New code"/> # The master code can be 6 digits
Setting the working mode: Set valid card only users Set valid card and PIN users Set valid card or PIN users	<input type="text" value="3"/> <input type="text" value="0"/> # Entry is by card only <input type="text" value="3"/> <input type="text" value="1"/> # Entry is by card and PIN together <input type="text" value="3"/> <input type="text" value="2"/> # Entry is by either card or PIN (default)

To add a user in either card or PIN mode, i.e. in the 3 2 # mode. (Default setting)	
To add a PIN user	<p>1 User ID number # PIN #</p> <p>The ID number is any number between 1 & 2000. The PIN is any four digits between 0000 & 9999 with the exception of 1234 which is reserved. Users can be added continuously without exiting programming mode as follows:</p> <p>1 User ID no 1 # PIN # User ID no 2 # PIN #</p>
To delete a PIN user	<p>2 User ID number #</p> <p>Users can be deleted continuously without exiting programming mode</p>
To change the PIN of a PIN user (This step must be done out of programming mode)	<p>* ID number # Old PIN # New PIN #</p> <p>New PIN #</p>
To add a card user (Method 1) This is the fastest way to enter cards, user ID number auto generation.	<p>1 Read card #</p> <p>Cards can be added continuous exiting programming mode</p>
To add a card user (Method 2) This is the alternative way to enter cards using User ID Allocation. In this method a User ID is allocated to a card. Only one user ID can be allocated to a single card.	<p>1 ID number # Read card #</p> <p>User can be added continuously without exiting programming mode</p>
To add a card user (Method 3) Card number is the last 8 digits printed on the back of the card,user ID number auto generation	<p>1 Card number #</p> <p>User can be added continuously without exiting programming mode</p>
To add a card user (Method 4) In this method a User ID is allocated to a card number. Only one user ID can be allocated to the card number	<p>1 ID number. # Card number. #</p> <p>User can be added continuously without exiting programming mode</p>
To delete a card user by card. Note users can be deleted continuously without exiting programming mode	<p>2 Read Card #</p>
To delete a card user by user ID. This option can be used when a user has lost their card	<p>2 User ID #</p>
To delete a card user by card number. This option can be used when the user want to make the change but the card has lost	<p>2 Card number #</p> <p>Note users can be deleted continuously without exiting programming mode</p>

To add a card and PIN user in card and PIN mode (3 1 #)	
To Add a card and PIN user (The PIN is any four digits between 0000 & 9999 with the exception of 1234 which is reserved.)	Add the card as for a card user Press * to exit from the programming mode Then allocate the card a PIN as follows: * Read card 1234 # PIN # PIN #
To change a PIN in card and PIN mode (Method 1) Note that this is done outside programming mode so the user can undertake this themselves	* Read Card Old PIN # New PIN # New PIN #
To change a PIN in card and PIN mode (Method 2) Note that this is done outside programming mode so the user can undertake this themselves	* ID number # Old PIN # New PIN # New PIN #
To delete a Card and PIN user just delete the card	2 User ID #
To add a card user in card mode (3 0 #)	
To Add and Delete a card user	The operating is the same as adding and deleting a card user in 3 2 #
To delete All users	
To delete ALL users . Note that this is a dangerous option so use with care	2 0000 #
To unlock the door	
For a PIN user	Enter the PIN then press #
For a card User	Read card
For a card and PIN user	Read card then enter PIN #

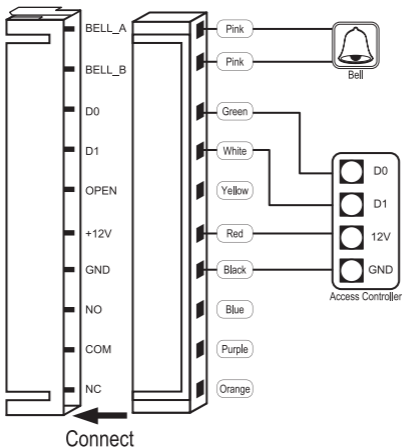
2. Door Settings

Relay Output Delay Time	
To set door relay strike time	* Master code # 4 0~99 # ↑ 0-99 is to set the door relay time 0-99 seconds
Normal status: No keypad lockout or alarm (factory default)	7 0 # (Factory default setting)
Keypad Lockout	7 1 #

Working Modes		
Standalone access control mode	*Master code##73# The door will be locked automatically after open the door normally	
Relay toggle mode	*Master code##74# The door will not be locked automatically. To lock the door, the user has to read the card or press the exit button.	
Reader mode	*Master code##7526/34# WG26/34 input and output	
<p>Data Backup. Example: Backup the data of machine A to machine B (Must close the Keypad output, (*Master code##88#)) The green wire and white wire of machine A connects with the green wire and white wire of machine B correspondingly, set B for receiving mode at first, then set A for sending mode, the indicator light turns green flash during the data backup, data backup is successful when indicator light turns red.</p>		
Data backup input	*Master code##77# The device will receive the data.	
Data backup output	*Master code##76# The device will receive the data.	
LED Light & Buzzer & Keypad Settings		
LED Light Flash	*Master code##80#	Default
LED Light off	*Master code##81#	LED light stay off
Buzzer on	*Master code##85#	Default
Buzzer off	*Master code##86#	The buzzer doesn't sound
Keypad output on	*Master code##87#	keypad output is turned on
Keypad output off	*Master code##88#	keypad output must be turned off during data backup

The unit operating as a Wiegand Output Reader

In this mode the unit supports a Wiegand 26 bit output so the Wiegand data lines can be connected to any controller which supports a Wiegand 26 bit input.



RF ENERGY EXPOSURE AND PRODUCT SAFETY GUIDE



ATTENTION!

Before using this radio, read this guide which contains important operating instructions for safe usage and RF energy awareness and control for compliance with applicable standards and regulations.

This radio uses electromagnetic energy in the radio frequency (RF) spectrum to provide communications between two or more users over a distance. RF energy, which when used improperly, can cause biological damage.

All Reteless radios are designed, manufactured, and tested to ensure they meet government-established RF exposure levels. In addition, manufacturers also recommend specific operating instructions to users of the radios. These instructions are important because they inform users about RF energy exposure and provide simple procedures on how to control it.

Please refer to the following websites for more information on what RF energy exposure is and how to control your exposure to assure compliance with established RF exposure limits: <http://www.who.int/en/>

Local Government Regulations

When radios are used as a consequence of employment, the Local Government Regulations requires users to be fully aware of and able to control their exposure to meet occupational requirements. Exposure awareness can be facilitated by the use of a product label directing users to specific user awareness information. Your Reteless radio has a RF Exposure Product Label. Also, your Reteless user manual, or separate safety booklet includes information and operating instructions required to control your RF exposure and to satisfy compliance requirements.

Radio License (if appropriate)

Governments keep the radios in classification, business radios operate on radio frequencies that are regulated by the local radio management departments (FCC, ISED, OFCOM, ANFR, BFTK, Bundesnetzagentur...). To transmit on these frequencies, you are required to have a license issued by them. The detailed classification and the use of your radios, please contact the local government radio management departments. Use of this radio outside the country where it was intended to be distributed is subject to government regulations and may be prohibited.

Unauthorized modification and adjustment

Changes or modifications not expressly approved by the party responsible for compliance may void the user's authority granted by the local government radio management departments to operate this radio and should not be made. To comply with the corresponding requirements, transmitter adjustments should be made only by or under the supervision of a person certified as technically qualified to perform transmitter maintenance and repairs in the private land mobile and fixed services

as certified by an organization representative of the user of those services. Replacement of any transmitter component (crystal, semiconductor, etc.) not authorized by the local government radio management departments equipment authorization for this radio could violate the rules.

FCC Requirements:

- This device complies with part 15 of the FCC Rules. Operation is subject to the following two conditions:

- (1) This device may not cause harmful interference, and
- (2) this device must accept any interference received, including interference that may cause undesired operation

- This equipment has been tested and found to comply with the limits for a Class B digital device, pursuant to Part 15 of the FCC Rules. These limits are designed to provide reasonable protection against harmful interference in a residential installation. This equipment generates uses and can radiate radio frequency energy and, if not installed and used in accordance with the instructions, may cause harmful interference to radio communications. However, there is no guarantee that

interference will not occur in a particular installation. If this equipment does cause harmful interference to radio or television reception, which can be determined by turning the equipment off and on, the user is encouraged to try to correct the interference by one or more of the following measures:

- Reorient or relocate the receiving antenna.
- Increase the separation between the equipment and receiver.
- Connect the equipment into an outlet on a circuit different from that to which the receiver is connected.
- Consult the dealer or an experienced radio/TV technician for help.

CE Requirements:

• (Simple EU declaration of conformity) Henan Eshow Electronic Commerce Co.,Ltd declares that the radio equipment type is in compliance with the essential requirements and other relevant provisions of RED Directive 2014/53/EU and the ROHS Directive 2011/65/EU and the WEEE Directive 2012/19/EU; the full text of the EU declaration of conformity is available at the following internet address:

www.retekeess.com.

- Disposal

The crossed-out wheeled-bin symbol on your product, literature, or packaging reminds you that in the European Union, all electrical and electronic products, batteries, and accumulators (rechargeable batteries) must be taken to designated collection locations at the end of their working life. Do not dispose of these products as unsorted municipal waste. Dispose of them according to the laws in your area.



IC Requirements:

Licence-exempt radio apparatus This device contains licence-exempt transmitter(s)/receiver(s) that comply with Innovation, Science and Economic Development Canada's licence-exempt RSS(s). Operation is subject to the following two conditions:

- (1) This device may not cause interference.
- (2) This device must accept any interference, including interference that may cause undesired operation of the device. Le présent appareil est conforme aux CNR d'Industrie Canada applicables aux appareils radio exempts de licence. L'exploitation est autorisée aux deux conditions suivantes :
 - (1) l'appareil ne doit pas produire de brouillage;
 - (2) l'utilisateur de l'appareil doit accepter tout brouillage radioélectrique subi, même si le brouillage est susceptible d'en compromettre le fonctionnement.

RF Exposure Information

• DO NOT operate the radio without a proper antenna attached, as this may damage the radio and may also cause you to exceed RF exposure limits. A proper antenna is the antenna supplied with this

radio by the manufacturer or an antenna specifically authorized by the manufacturer for use with this radio, and the antenna gain shall not exceed the specified gain by the manufacturer declared.

• DO NOT transmit for more than 50% of total radio use time, more than 50% of the time can cause RF exposure compliance requirements to be exceeded.

• During transmissions, your radio generates RF energy that can possibly cause interference with other devices or systems. To avoid such interference, turn off the radio in areas where signs are posted to do so.

• The device complies with RF specifications when the device used at 5mm from your body. Third-party belt-clips, holsters, and similar accessories used by this device should not contain any metallic components. Body-worn accessories that do not meet these requirements may not comply with RF

exposure requirements and should be avoided.

• DO NOT operate the transmitter in areas that are sensitive to electromagnetic radiation such as hospitals, aircraft, and blasting sites.

Avoid Choking Hazard



Small Parts. Not for children under 3 years.

Protect your hearing



- Use the lowest volume necessary to do your job.
- Turn up the volume only if you are in noisy surroundings.
- Turn down the volume before adding headset or earpiece.
- Limit the amount of time you use headsets or earpieces at high volume.
- When using the radio without a headset or earpiece, do not place the radio's speaker directly against your ear
- Use careful with the earphone maybe possible excessive sound pressure from earphones and headphones can cause hearing loss Note: Exposure to loud noises from any source for extended periods of time may temporarily or permanently affect your hearing. The louder the radio's volume, the less time is required before your hearing could be affected. Hearing damage from loud noise is sometimes undetectable at first and can have a cumulative effect.



Avoid Burns



Antennas

• Do not use any portable radio that has a damaged antenna. If a damaged antenna comes into contact with the skin when the radio is in use, a minor burn can result.

Batteries (If appropriate)

- When the conductive material such as jewelry, keys or chains touch exposed terminals of the batteries, may complete an electrical circuit (short circuit the battery) and become hot to cause bodily injury such as burns. Exercise care in handling any battery, particularly when placing it inside a pocket, purse or other container with metal objects Long transmission
- When the transceiver is used for long transmissions, the radiator and chassis will become hot.

Safety Operation



Forbid

- Do not use charger outdoors or in moist environments, use only in dry locations/conditions.
 - Do not disassemble the charger, that may result in risk of electrical shock or fire.
 - Do not operate the charger if it has been broken or damaged in any way.
 - Do not place a portable radio in the area over an air bag in the air bag deployment area. The radio may be propelled with great force and cause serious injury to occupants of the vehicle when the air bag inflates.
- To reduce risk
- Pull by the plug rather than the cord when disconnecting the charger.
 - Unplug the charger from the AC outlet before attempting any maintenance or cleaning.
 - Contact Reteless for assistance regarding repairs and service.
 - The adapter shall be installed near the equipment and shall be easily accessible
 - Risk of explosion if battery is replaced by an incorrect type. Dispose of used batteries according to the instructions.
 - Adapter shall be installed near the equipment and shall be easily accessible.
 - The plug considered as disconnect device of adapter.
 - The operating temperature of the EUT can't exceed the specified range.

Approved Accessories



- This radio meets the RF exposure guidelines when used with the Reteless accessories supplied or designated for the product. Use of other accessories may not ensure compliance with the RF exposure guidelines and may violate regulations.
- For a list of Reteless-approved accessories for your radio model, visit the following website: <http://www.Reteless.com>

Beschreibung

Das Gerät ist ein multifunktionaler Standalone-Access-Controller für eine Tür oder ein Wiegand-Ausgabefastenfeld oder Kartenleser. Es eignet sich für den Einbau in geschlossenen Räumen oder im Freien, in offener Umgebung. Es ist in einem starken, robusten und vandalensicheren Zinklegierungs-Gehäuse untergebracht, das entweder in einem hellen Silber oder Matt Silber-Finish erhältlich ist. Die Elektronik ist vollständig vergossen, daher ist das Gerät wasserdicht und entspricht IP68. Dieses Gerät unterstützt bis zu 2000 Benutzer mit einer Karte, einer 4-stelligen PIN oder einer Karte + PIN. Der eingebaute Kartenleser unterstützt 125 kHz EM-Karten. Das Gerät verfügt über viele zusätzliche Funktionen, wie Kurzschlusschutz, Wiegand Ausgabe und eine Tastatur mit Hintergrundbeleuchtung.

Eigenschaften

- Wasserdicht, IP68-konform.
- Gehäuse aus Zink-Aluminium-Legierung, sehr stabil.
- Komplette Programmierung über Tastatur möglich.
- Bis zu 2000 Personen unterstützt diese Karte, PIN, Karte + PIN.
- Kann auch als eigenständige Tastatur verwendet werden.
- Hintergrundbeleuchtung der Tasten.
- Wiegand 26-Bit Eingang zum Anschluss an externen Antrieb
- Wiegand 26-Bit Ausgang zum Anschluss an einen Controller.
- Türschließzeit, Alarmzeit, Türöffnungszeit können eingestellt werden.
- Sehr geringer Stromverbrauch (30mA).
- Reaktionsgeschwindigkeit: < 20ms mit 2000 Benutzern geprüft.
- Sperrung für den den Ausgangsstromkurzschlusschutz
- Einfach zu installieren und zu programmieren
- Rote, gelbe und grüne LED's zeigen den Arbeitsstatus an.

Spezifikationen

Betriebsspannung	DC 12V ± 10%
Benutzerkapazität	2000
Kartenlesedistanz	3-6 cm
Aktiver Strom	< 60mA
Leerlaufstrom	25 ± 5 mA
Ausgangslast sperren	Max 3A
Betriebstemperatur	-45°C ~ 60°C
Betriebsfeuchtigkeit	10%- 90% RH
Wasserdicht	Gemäß IP68
Einstellbare Türrelaiszeit	0 -99 seconds
Wiegand-Schnittstelle	Wiegand 26-bit
Anschlüsse	Elektrisches Schloß, Exit Button, External Alarm, External reader

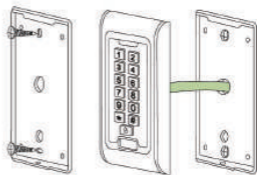
Paketdetails

Name	Menge	Spezifikationen
Tastenfeld	1	
Benutzerhandbuch	1	
Schraubendreher	1	Φ20mm×60mm, Speziell für die Tastatur
Gummistopfen	2	Φ6mm×30 mm, zur Befestigung verwendet
Blechschrauben	2	Φ4mm×28 mm, zur Befestigung verwendet
Torx	1	Φ3mm×6mm, zur Befestigung verwendet

Der tatsächliche Inhalt des Pakets unterliegt der Werbung.

Installation

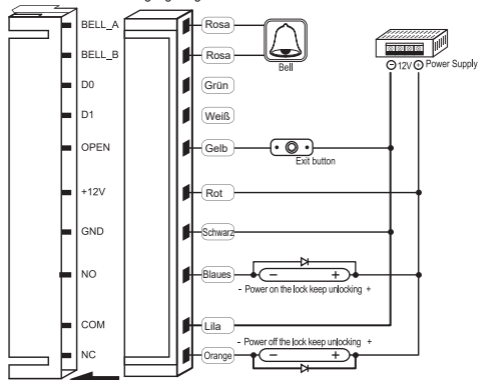
- Entfernen Sie bitte die hintere Abdeckung von der Tastatur , mit dem mitgelieferten Spezialschraubendreher
- Bohren Sie zwei Löcher in die Wand , für die selbstschneidenden Schrauben und ein Loch für das Kabel
- Legen Sie den mitgelieferten Gummistopfen in die beiden Löcher
- Befestigen Sie die hintere Abdeckung mit 2 selbstschneidenden Schrauben fest an der Wand
- Führen Sie das Kabel durch die Kabelöffnung
- Schließen Sie die Tastatur an die hintere Abdeckung an



Verkabelung

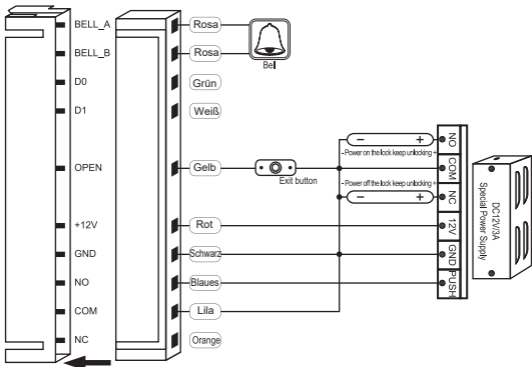
Farbe	Funktion	Beschreibung
Rosa	BELL_A	Türklingelknopf ein Ende
Rosa	BELL_B	Türklingel zum anderen Ende
Grün	D0	WG Ausgang D0
Weiß	D1	WG Ausgang D1
Gelb	OPEN	Exit-Taste ein Ende (das andere Ende verbunden GND)
Rot	12V+	12V + DC Geregelte Stromversorgung
Schwarz	GND	12V - Gleichspannungseingang
Blaues	NO	Relais-Einschalt-Endschalter (Schließen Sie die positive elektrische Verriegelung "-" an)
Lila	COM	Relais Öffentliches Ende, GND verbinden
Orange	NC	Relais Geschlossenes Ende (negatives elektrisches Schloss anschließen "-")

Gemeinsames Stromversorgungsdiagramm



Connect

Spezielles Stromversorgungsdiagramm



Connect

Zurücksetzen auf Werkseinstellungen

- Trennen Sie die Stromversorgung vom Gerät
- Halten Sie die # Taste gedrückt, während Sie das Gerät wieder einschalten
- Wenn Sie zwei "Di"-Töne hören, lösen # Tasten, ist das System jetzt auf Werkseinstellung zurückgesetzt.

Hinweis: Beachten Sie, dass nur die Installationsdaten wiederhergestellt werden und die Benutzerdaten nicht betroffen sind

Ton- und wichtige Anweisungen

Betriebsstatus	Rot Licht	Grün Licht	Gelb Licht	Summpfeife
anschalten	-	Hell	-	Di
Bereithalten	Hell	-	-	-
Drücken Sie die Tastatur	-	-	-	Di
Operation erfolgreich	-	Hell	-	Di
Operation scheitern	-	-	-	DiDiDi
Eintreten Programmiermodus	Hell	-	-	
Im Programmiermodus	-	-	Hell	Di
Zurücktreten Programmiermodus	Hell	-	-	Di
Öffne die Tür	-	Hell	-	Di

Detaillierte Programmieranleitung

1. Benutzereinstellungen

Programmiermodus eintreten	* <input type="text" value="Hauptcode"/> # 999999 ist das Werkseinstellung Passwort
Zurücktreten Programmiermodus	*
Bitte beachten Sie, dass sich der Hauptbenutzer für die folgende Programmierung anmelden muss	
Um den Hauptcode zu ändern	0 <input type="text" value="neuer Code"/> # <input type="text" value="neuer Code"/> # Der Hauptcode kann 6 Ziffern haben
Stellen Sie den Arbeitsmodus ein: Legen Sie einen gültigen Kartenbenutzer fest Legen Sie gültige Karten- und PIN-Benutzer fest Legen Sie gültige Karten- oder PIN-Benutzer fest	<input type="text" value="3"/> <input type="text" value="0"/> # Nur durch die Karte zu betreten ! <input type="text" value="3"/> <input type="text" value="1"/> # Nur durch die Karte und PIN, zusammen zu betreten ! <input type="text" value="3"/> <input type="text" value="2"/> # Nur durch die Karte oder PIN zu betreten(Standard) !

Um einen Benutzer im Karten- oder PIN-Modus hinzuzufügen, Z.B Im 3 2 # Modus (Standardeinstellung)	
Um einen Pin-Benutzer hinzuzufügen	<p>1 Benutzer-ID-Nummer # PIN #</p> <p>Die ID-Nummer ist eine beliebige Zahl zwischen 1 und 2000. Die PIN besteht aus vier Ziffern zwischen 0000 und 9999 mit Ausnahme von 1234, die reserviert ist. Benutzer können kontinuierlich hinzugefügt werden, ohne zu beenden Programmiermodus wie folgt:</p> <p>1 Benutzer-ID Nr. 1 # PIN # Benutzer-ID Nr. 2 # PIN #</p>
PIN-Benutzer löschen	<p>2 Benutzer Nummer #</p> <p>Benutzer können fortlaufend löschen, ohne das Programm zu verlassen</p>
Das PIN Benutzer möchte PIN ändern (Dieser Schritt muss beim Verlassen des Programmiermodus ausgeführt werden)	<p>* ID Nummer # Alte PIN # Neue PIN #</p> <p>Neue PIN #</p>
Um einen Kartenbenutzer hinzuzufügen (Methode 1)	<p>1 Karte lesen #</p> <p>Die Karte kann kontinuierlich hinzugefügt werden, ohne den Programmiermodus zu verlassen</p>
<p>Um einen Kartenbenutzer hinzuzufügen (Methode 2)</p> <p>Dies ist eine alternative Möglichkeit, Eingabekarten mit Benutzerkennungen zu versehen. Bei dieser Methode wird die Benutzer-ID einer Karte zugewiesen. Nur eine Benutzer-ID kann einer Karte zugewiesen werden.</p>	<p>1 ID Nummer # Karte lesen #</p> <p>Der Benutzer kann kontinuierlich hinzugefügt werden, ohne den Programmiermodus zu verlassen</p>
<p>Um eine n Kartenbenutzer hinzuzufügen (Methode 3)</p> <p>Die Kartenummer ist die letzte 8 Ziffern auf der Rückseite der Karte, die Benutzer-ID-Nummer Automatisch generiert.</p>	<p>1 Karte Nummer #</p> <p>Der Benutzer kann kontinuierlich hinzugefügt werden, ohne den Programmiermodus zu verlassen</p>
<p>Um einen Kartenbenutzer hinzuzufügen (Methode 4)</p> <p>Bei dieser Methode wird die Benutzer-ID einer Karte zugewiesen. Nur eine Benutzer-ID kann einer Karte zugewiesen werden.</p>	<p>1 ID number. # Card number. #</p> <p>Der Benutzer kann kontinuierlich hinzugefügt werden, ohne den Programmiermodus zu verlassen</p>
Einen Kartennutzer nach Karte löschen Benutzer können direkt gelöscht werden, ohne den Programmiermodus zu verlassen	<p>2 Karte lesen #</p>
Löschen von Kartenbenutzern nach Benutzer-ID Diese Methode kann verwendet werden, wenn der Benutzer seine Karte verliert	<p>2 Benutzer-ID #</p>

<p>Löschen Sie den Kartenbenutzer nach Kartennummer.</p> <p>Diese Methode eignet sich für Benutzer, die Änderungen vornehmen möchten, die Karte jedoch verloren ist</p>	<p>2 [Karte nummer] #</p> <p>Der Benutzer kann kontinuierlich hinzugefügt werden, ohne den Programmiermodus zu verlassen</p>
<p>Hinzufügen einer Karte und eines PIN-Benutzer im Karten und PIN Modus(3 1 #)</p>	
<p>Hinzufügen einer Karte und eines PIN-Benutzer</p> <p>Die PIN besteht aus vier Ziffern zwischen 0000 und 9999 mit Ausnahme von 1234, die reserviert ist.</p>	<p>Fügen Sie eine Karte als Kartenbenutzer hinzu Drücken Sie *, um den Programmiermodus zu verlassen</p> <p>Weisen Sie dann der Karte eine PIN zu, wie folgt</p> <p>* [Karte lesen] 1234 # [PIN #] [PIN #]</p>
<p>Ändern Sie die PIN im Karten- und PIN-Modus(Methode1) Beachten Sie, dass dies beim Verlassen des Programmiermodus getan wird, damit der Benutzer es selbst tun kann</p>	<p>* [Karte lesen] [Alte PIN #] [Neue PIN #]</p> <p>[Neue PIN #]</p>
<p>Ändern Sie die PIN im Karten- und PIN-Modus(Methode2) Beachten Sie, dass dies beim Verlassen des Programmiermodus getan wird, damit der Benutzer es selbst tun kann</p>	<p>* [ID nummer #] [Alte PIN #] [Neue PIN #]</p> <p>[Neue PIN #]</p>
<p>Um einen Karten- und PIN-Benutzer zu löschen, löschen Sie einfach die Karte</p>	<p>2 [Benutzer ID] #</p>
<p>Fügen Sie Kartenbenutzer im Kartenmodus hinzu(3 0 #)</p>	
<p>Hinzufügen und Löschen eines Kartenbenutzers</p>	<p>Die Methode zum Entfernen eines Kartenbenutzers ist gleich wie das Hinzufügen eines Kartenbenutzers im 3 2 #</p>
<p>Löschen Sie alle Benutzer</p>	
<p>Löschen Sie alle Benutzer :Seien Sie bitte vorsichtig, bevor Sie den Befehl geben !!</p>	<p>2 0000 #</p>
<p>Öffnen die Tür</p>	
<p>Für einen PIN-Benutzer</p>	<p>Eingeben [PIN] dann drücken Sie ##</p>
<p>Für einen Karte Benutzer</p>	<p>[Karte lesen]</p>
<p>Für einen PIN-Benutzer und Karte Benutzer</p>	<p>[Karte lesen] und eingeben [PIN #]</p>

2. Türeinstellungen

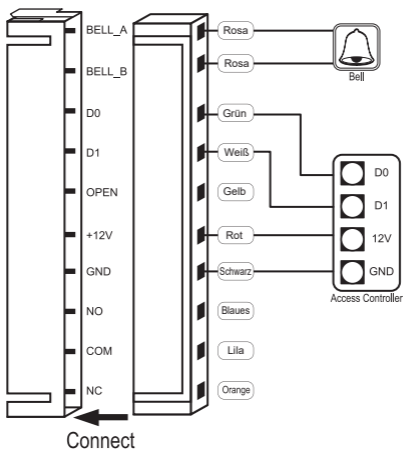
<p>Verzögerung des Relaisausgangs</p>	
<p>Stellen Sie die bestreikene Zeit der Tür ein</p>	<p>* [Master-Code] # 4 0~99 # *</p> <p>0-99 dient zum Einstellen der Türrelaiszeit von 0 bis 99 Sekunden</p>

Normaler Zustand: keine Tastatursperre oder Alarm (Werkseinstellung)	7 0 # (Werkseinstellung)
Tastatursperre	7 1 #

Arbeitsmodi		
Eigenständiger Zugangskontrollmodus	*Mastercode#73#	Die Tür wird automatisch verschlossen, nachdem sie normal geöffnet wurde.
Relais-Umschaltmodus	*Mastercode#74#	Die Tür wird nicht automatisch verschlossen. Um die Tür zu schließen, muss der Benutzer die Karte einlesen oder den Ausgangsknopf drücken.
Lesegerätmodus	*Mastercode#7526/34#	WG26/34-Eingang und -Ausgang
<p>Datenbackup. Beispiel: Backup der Daten von Gerät A auf Gerät B (Tastaturausgang muss geschlossen werden, (*Mastercode#88#))</p> <p>Die grüne und weiße Leitung von Gerät A wird entsprechend mit der grünen und weißen Leitung von Gerät B verbunden. Zuerst wird B auf Empfangsmodus eingestellt, dann wird A auf Sendemodus eingestellt. Während des Datenbackups blinkt die Anzeige grün. Das Datenbackup ist erfolgreich, wenn die Anzeige rot wird.</p>		
Datenbackup-Eingang	*Mastercode#77#	Das Gerät empfängt die Daten.
Datenbackup-Ausgang	*Mastercode#76#	Das Gerät empfängt die Daten.
LED-Licht, Piepser & Tastatur-Einstellungen		
LED-Licht blinkt	*Mastercode#80#	Standard
LED-Licht aus	*Mastercode#81#	LED-Licht bleibt aus
Piepser an	*Mastercode#85#	Standard
Piepser aus	*Mastercode#86#	Der Piepser macht kein Geräusch
Tastaturausgang an	*Mastercode#87#	Tastaturausgang ist eingeschaltet
Tastaturausgang aus	*Mastercode#88#	Tastaturausgang muss während des Datenbackups ausgeschaltet sein

Das Gerät arbeitet als Wiegand-Ausgabegerät

In diesem Modus unterstützt das Gerät den Wiegand 26-Bit-Ausgang, so dass das Wiegand-Datenkabel an jeden beliebigen Controller angeschlossen werden kann, der Wiegands 26-Bit-Eingang unterstützt.



RF ENERGIE EXPOSURE UND PRODUKTSICHERHEIT



ATTENTION!

Lesen Sie vor der Verwendung dieses Geräts diese Bedienungsanleitung, die wichtige Betriebsanleitungen für den sicheren Gebrauch und die Kenntnis der Funkfrequenz

Dieses Gerät verwendet elektromagnetische Energie im Radiofrequenzspektrum (RF), um die Kommunikation zwischen zwei oder mehr Benutzern über eine Distanz hinweg bereitzustellen. RF-Energie, die bei unsachgemäßer Verwendung biologische Schäden verursachen kann. Alle Reteless-Funkgeräte werden entwickelt, hergestellt und getestet, um sicherzustellen, dass sie den von der Regierung festgelegten RF-Expositionswerten entsprechen. Darüber hinaus empfehlen Hersteller den Benutzern der Funkgeräte auch spezifische Bedienungsanleitungen. Diese Anweisungen sind wichtig, da sie die Benutzer über die Einwirkung von RF-Energie informieren und einfache Verfahren für deren Steuerung enthalten. Auf den folgenden Websites finden Sie weitere Informationen zu RF-Energieexpositionen und zur Kontrolle Ihrer Exposition, um die Einhaltung der festgelegten RF-Expositionsgrenzwerte sicherzustellen: <http://www.who.int/de/>

Lokale Regierungsbestimmungen

Wenn Funkgeräte als Folge einer Beschäftigung verwendet werden, müssen die Benutzer nach den örtlichen Regierungsvorschriften ihre Exposition genau kennen und kontrollieren können, um den beruflichen Anforderungen zu genügen. Die Erkennung der Exposition kann durch die Verwendung eines Produktetiketts erleichtert werden, das die Benutzer zu bestimmten Benutzerinformationen führt. Ihr Reteless-Funkgerät verfügt über ein RF-Exposure-Produktetikett. Außerdem enthält Ihr Reteless-Benutzerhandbuch oder eine separate Sicherheitsbroschüre Informationen und Betriebsanleitungen, die zur Kontrolle der RF-Belastung und zur Einhaltung der Konformitätsanforderungen erforderlich sind.

Radio-Lizenz (falls zutreffend)

Die Regierungen halten die Funkgeräte in der Klassifizierung, die Geschäftsradios arbeiten mit Funkfrequenzen, die von den lokalen Funkverwaltungsabteilungen (FCC, ISED, BAKOM, ANFR, BFTK, Bundesnetzagentur ...) reguliert werden. Um auf diesen Frequenzen übertragen zu können, benötigen Sie eine Lizenz. Die genaue Klassifizierung und Verwendung Ihrer Funkgeräte erfahren Sie bei den zuständigen Verwaltungsstellen der örtlichen Behörden. Die Verwendung dieses Radios außerhalb des Landes, in dem es verteilt werden soll, unterliegt den gesetzlichen Bestimmungen und kann verboten werden.

Eigenmächtige Änderung und Einstellung

Änderungen oder Modifikationen, die nicht ausdrücklich von der für die Einhaltung der Bestimmungen verantwortlichen Partei genehmigt wurden, können die Berechtigung des Benutzers, die von den lokalen Funkverwaltungsabteilungen für den Betrieb dieses Funkgeräts erteilt wurde, aufheben und sollten nicht vorgenommen werden. Um die entsprechenden Anforderungen zu erfüllen, sollten die Einstellungen des Senders nur von oder unter der Aufsicht einer Person vorgenommen werden, die als technisch qualifiziert für die Wartung und Reparatur des Senders in privaten Landfunk- und Festnetzdiensten zertifiziert ist und von einer Organisation, die dessen Nutzer vertritt, zertifiziert ist Dienstleistungen. Der Austausch von Senderkomponenten (Quarz, Halbleiter usw.), die nicht durch die Autorisierung des Funkmanagements der örtlichen Behörden autorisiert wurden, könnte gegen die Regeln verstoßen.

FCC-Anforderungen:

• Dieses Gerät entspricht Abschnitt 15 der FCC-Bestimmungen. Der Betrieb unterliegt den folgenden zwei Bedingungen:

- (1) Dieses Gerät darf keine schädlichen Interferenzen verursachen
- (2) Dieses Gerät muss alle empfangenen Interferenzen akzeptieren, einschließlich Interferenzen,

die einen unerwünschten Betrieb verursachen können.

- Dieses Gerät wurde getestet und entspricht den Grenzwerten für ein digitales Gerät der Klasse B gemäß Teil 15 der FCC-Bestimmungen. Diese Grenzwerte bieten einen angemessenen Schutz gegen schädliche Interferenzen in einer Wohninstallation.

Dieses Gerät erzeugt Hochfrequenzenergie und kann diese ausstrahlen. Wenn es nicht gemäß den Anweisungen installiert und verwendet wird, kann dies Funkstörungen verursachen. Es kann jedoch nicht garantiert werden, dass bei einer bestimmten Installation keine Interferenzen auftreten. Wenn dieses Gerät den Radio- oder Fernsehempfang stört, was durch Aus- und Einschalten des Geräts festgestellt werden kann, sollte der Benutzer versuchen, die Störung durch eine oder mehrere der folgenden Maßnahmen zu beheben:

- Richten Sie die Empfangsantenne neu aus.
- Vergrößern Sie den Abstand zwischen Gerät und Empfänger.
- Verbinden Sie das Gerät mit einer Steckdose in einem anderen Stromkreis als dem, an den der Empfänger angeschlossen ist.
- Wenden Sie sich an den Händler oder einen erfahrenen Radio- / Fernstechniker.

CE-Anforderungen:

- (Einfache EU-Konformitätserklärung) Die Henan Eshow Electronic Commerce Co., Ltd erklärt, dass der Funkgerätetyp den grundlegenden Anforderungen und anderen relevanten Bestimmungen der RED-Richtlinie 2014/53 / EU und der ROHS-Richtlinie 2011/65 / EU entspricht und der WEEE-Richtlinie 2012/19 / EU; Der vollständige Text der EU-Konformitätserklärung ist unter folgender Internetadresse abrufbar: www.retekess.com.

•Entsorgung

Das Symbol der durchgestrichenen Mülltonne auf Ihrem Produkt, Ihrer Dokumentation oder Ihrer Verpackung weist Sie darauf hin, dass in der Europäischen Union alle elektrischen und elektronischen Produkte, Batterien und Akkumulatoren (wiederaufladbare Batterien) am Ende ihrer Lebensdauer zu den dafür vorgesehenen Sammelstellen gebracht werden müssen. Entsorgen Sie diese Produkte nicht als unsortierten Hausmüll. Entsorgen Sie sie gemäß den Gesetzen in Ihrer Nähe.



IC-Anforderungen:

Lizenzfreies Funkgerät

Dieses Gerät enthält lizenzpflichtige Sender / Empfänger, die den lizenzpflichtigen RSS (s) für Innovation, Wissenschaft und wirtschaftliche Entwicklung Kanadas entsprechen. Der Betrieb unterliegt den folgenden zwei Bedingungen:

- (1) Dieses Gerät darf keine Störungen verursachen.
- (2) Dieses Gerät muss alle Interferenzen akzeptieren.

Dieses Gerät stimmt mit Industry Canada RSS für nicht lizenzierte Funkgeräte überein. Der Betrieb ist unter folgenden beiden Bedingungen zulässig:

- (1) Das Gerät darf keine Interferenzen verursachen.
- (2) Der Benutzer des Geräts muss alle empfangenen Interferenzen akzeptieren, selbst wenn die Interferenz wahrscheinlich den Betrieb beeinträchtigt.

Informationen zur RF Exposition

- Betreiben Sie das Funkgerät NICHT ohne angeschlossene Antenne, da dies das Funkgerät beschädigen und dazu führen kann, dass Sie die Funkfrequenzgrenzwerte überschreiten. Eine geeignete Antenne ist die vom Hersteller mit diesem Funkgerät gelieferte Antenne oder eine vom Hersteller speziell für die Verwendung mit diesem Funkgerät zugelassene Antenne. Der Antennengewinn darf den vom Hersteller angegebenen Gewinn nicht überschreiten.
- Senden Sie NICHT für mehr als 50% der gesamten Funkgebrauchszeit. In mehr als 50% der Zeit können die Anforderungen an die Funkfrequenzbelastung überschritten werden.
- Während der Übertragung erzeugt Ihr Radio RF-Energie, die möglicherweise Interferenzen mit anderen Geräten oder Systemen verursachen kann. Um solche Interferenzen zu vermeiden, schalten Sie das Radio in Bereichen aus, in denen Schilder angebracht sind.
- Das Gerät entspricht den RF-Spezifikationen, wenn das Gerät 5 mm von Ihrem Körper entfernt ist. Gürtelclips, Halfter und ähnliches Zubehör, die von diesem Gerät verwendet werden, dürfen keine metallischen

Komponenten enthalten. Am Körper getragenes Zubehör, das diese Anforderungen nicht erfüllt, entspricht

möglicherweise nicht den Anforderungen an die RF-Exposition und sollte vermieden werden.

• Betreiben Sie den Sender NICHT in Bereichen, die empfindlich auf elektromagnetische Strahlung reagieren, z. B. in Krankenhäusern, Flugzeugen und Sprenggebieten.

Erstickungsgefahr vermeiden



Kleine Teile. Nicht für Kinder unter 3 Jahren.

Schützen Sie Ihr Gehör:



- Verwenden Sie das niedrigste Volumen, das für Ihre Arbeit erforderlich ist.
 - Erhöhen Sie die Lautstärke nur, wenn Sie sich in einer lauten Umgebung befinden.
 - Verringern Sie die Lautstärke, bevor Sie ein Headset oder einen Hörer hinzufügen.
 - Beschränken Sie die Verwendung von Headsets oder Ohrhörern auf hohe Lautstärke.
 - Wenn Sie das Radio ohne Headset oder Ohrhörer verwenden, stellen Sie den Lautsprecher des Radios nicht direkt an Ihr Ohr
 - Vorsicht beim Umgang mit dem Kopfhörer. Möglicherweise führt ein zu hoher Schalldruck von Ohrhörern und Kopfhörern zu Gehörschäden
- Hinweis: Wenn Sie längere Zeit lauten Geräuschen einer beliebigen Quelle ausgesetzt sind, kann dies Ihr Gehör vorübergehend oder dauerhaft beeinträchtigen. Je lauter die Lautstärke des Radios ist, desto weniger Zeit wird benötigt, um Ihr Gehör zu beeinträchtigen. Gehörschäden durch laute Geräusche sind manchmal zunächst nicht nachweisbar und können sich kumulativ auswirken.



Verbrennungen



Antennen

- Verwenden Sie kein tragbares Radio mit beschädigter Antenne. Wenn eine beschädigte Antenne während der Verwendung des Radios mit der Haut in Kontakt kommt, kann dies zu leichten Verbrennungen führen.

Batterien (falls zutreffend)

- Wenn das leitfähige Material, z. B. Schmuck, Schlüssel oder Ketten, die freiliegenden Klemmen der Batterien berühren, kann ein elektrischer Stromkreis geschlossen werden (Kurzschluss der Batterie) und heiß werden, was zu Körperverletzungen wie Verbrennungen führt. Gehen Sie beim Umgang mit Akkus vorsichtig vor, insbesondere wenn Sie sie in einer Tasche, einer Handtasche oder einem anderen Behälter mit Metallgegenständen ablegen
- Lange Übertragung
- Wenn der Transceiver für lange Übertragungen verwendet wird, werden der Kühler und das Chassis heiß.

Sicherheitsbetrieb



Verboten

- Verwenden Sie das Ladegerät nicht im Freien oder in feuchter Umgebung und nur in trockenen Umgebungen.
 - Bauen Sie das Ladegerät nicht auseinander, da dies zu einem elektrischen Schlag oder Brand führen kann.
 - Betreiben Sie das Ladegerät nicht, wenn es beschädigt ist.
 - Platzieren Sie kein tragbares Radio in der Nähe eines Airbags oder im Bereich der Airbagauslösung. Das Radio kann mit großer Kraft angetrieben werden und die Insassen des Fahrzeugs ernsthaft verletzen, wenn sich der Airbag aufbläst.
- Um das Risiko zu reduzieren
- Ziehen Sie am Stecker und nicht am Kabel, wenn Sie das Ladegerät trennen.

- Trennen Sie das Ladegerät von der Netzsteckdose, bevor Sie eine Wartung oder Reinigung durchföhren.
- Wenden Sie sich an Reteless, um Unterstützung bei Reparaturen und Service zu erhalten.
- Der Adapter muss sich in der Nähe des Geräts befinden und leicht zugänglich sein
- Explosionsgefahr, wenn die Batterie durch einen falschen Typ ersetzt wird. Entsorgen Sie gebrauchte Batterien gemäß den Anweisungen.
- Der Adapter muss sich in der Nähe des Geräts befinden und leicht zugänglich sein.
- Der Stecker gilt als Trenngerät vom Adapter.
- Die Betriebstemperatur des Endgerätes darf den angegebenen Bereich nicht überschreiten.

Zugelassenes Zubehör



- Dieses Funkgerät erfüllt die Richtlinien zur RF Exposition, wenn es mit dem von Reteless gelieferten Zubehör verwendet wird, das für das Produkt geliefert wird oder dafür bestimmt ist. Die Verwendung von anderem Zubehör kann nicht die Einhaltung der RF Expositionsrichtlinien gewährleisten und verstößt möglicherweise gegen Vorschriften.
- Eine Liste von von Reteless zugelassenem Zubehör für Ihr Funkmodell finden Sie auf der folgenden Website: <http://www.Reteless.com>

Description

Le produit est un contrôleur d'accès autonome multifonctions de porte ou un clavier de sortie Wiegand ou un lecteur de carte. Il convient d'installer à l'intérieur ou à l'extérieur dans des conditions difficiles. Il est logé dans une forte, robuste et anti-vandalisme en alliage de zinc électrolytiques boîte qui est d'argent brillant ou argent mat. Ce produit est entièrement enrobée de sorte que le produit est étanche et conforme à la gamme IP68. Cette unité prend en charge jusqu'à 2000 utilisateurs avec une carte, un code PIN à 4 chiffres ou une carte + code PIN. Le lecteur de carte intégré prend en charge les cartes EM 125KHZ. Le produit a beaucoup de dispositifs supplémentaires comprenant la protection de court-circuit de courant de sortie de serrure, Sortie Wiegand, et un clavier rétro-éclairé. Ces caractéristiques font le produit un choix idéal pour l'accès de contrôle non seulement pour les petites boutiques et les ménages, mais aussi pour les applications commerciales et industrielles telles que les usines, les entrepôts, les laboratoires, les banques et les prisons.

Caractéristiques

- Étanche et antibuée, conforme à IP68
- Forte, robuste et anti-vandalisme en alliage de zinc électrolytiques boîte
- Programmation complète par clavier
- 2000 utilisateurs, par Carte, PIN, Carte + PIN
- Peut être utilisé comme un clavier autonome
- Clavier rétro-éclairé
- Wiegand 26 entrée pour la connexion au lecteur externe
- Wiegand 26 sortie pour la connexion à un contrôleur
- Temps de sortie de la porte, temps d'alarme, temps d'ouverture de la porte peuvent être réglés
- Très faible consommation d'énergie (30mA)
- Vitesse de fonctionnement rapide, <20ms avec 2000 utilisateurs
- Protection de court-circuit de courant de sortie de serrure
- Facile à installer et à programmer
- LED, rouges, jaunes et vertes signifie l'état de fonctionnement

Specifications

Tension de fonctionnement	DC 12V ± 10%
Capacité de l'utilisateur	2000
Distance de lecture de la carte	3-6 cm
Courant actif	<60mA
Courant en veille	25±5 mA
La charge de sortie Maximal	3A
Température de fonctionnement	-45°C ~ 60°C
Humidité de fonctionnement	10%- 90% HR
Étanche	Conforme à IP68
Temps de retarder d'ouvrir la porte	0 -99 seconds
Wiegand Interface	Wiegand 26 bit
Connexions de câblage	Serrure électrique, bouton de sortie, alarme externe, lecteur externe

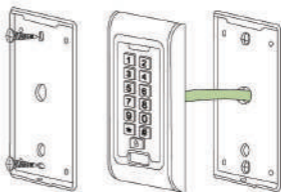
Contenu de l'emballage

Nom	Quantité	Remarque
Clavier	1	
Mode d'emploi	1	
Clé allen	1	Φ20mm×60mm, spécial pour pavé numérique keypad
Bouchon en caoutchouc	2	Φ6mm×30 mm, utilisé pour la fixation
Vis	2	Φ4mm×28 mm, utilisé pour la fixation
Petite vis	1	Φ3mm×6mm, utilisé pour la fixation

Veillez vous assurer que tous les contenus ci-dessus sont corrects. S'il en manque, veuillez aviser le fournisseur de l'unité.

Installation

- Retirez le couvercle arrière du clavier à l'aide du tournevis fourni
- Drill 2 trous sur le mur pour les vis et un trou pour le câble
- Insérer les bouchons en caoutchouc fournis aux deux trous
- Fixez fermement le couvercle arrière sur le mur avec 2 vis
- Faites passer le câble dans le trou du câble
- Fixez le clavier et le couvercle arrière.



Câblage

Colour	Function	Description
Rose	BELL_A	Un côté du bouton de la sonnette
Rose	BELL_B	L'autre côté du bouton de la sonnette
Vert	D0	WG output D0
Blanche	D1	WG output D1
Jaune	OPEN	Côté du bouton de sortir (l'autre extrémité du bouton doit être connectée à GND)
Rouge	12V+	12V + DC
Noir	GND	12V - DC
Bleu	Schließer	Relais normalement-sur l'extrémité (brancher la serrure électrique positive "-")
Violet	COM	Relais public, doit être connecté à GND
Orange	NC	Relais fermé (connectez le verrou électrique négatif "-")

Schéma d'alimentation commun

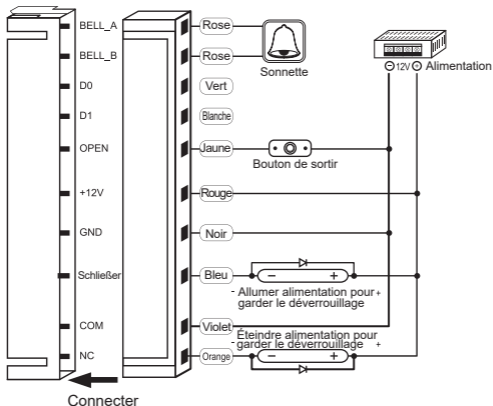
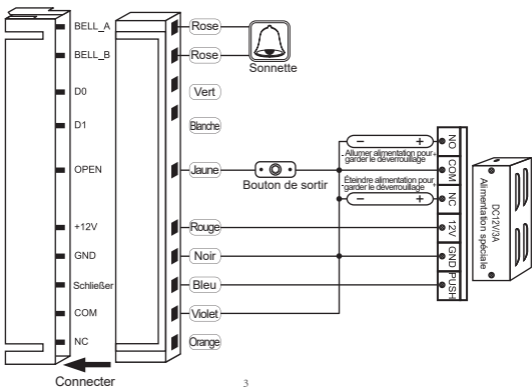


Diagramme d'alimentation spécial



Pour réinitialiser aux paramètres par défaut

- Débrancher l'alimentation du produit
- Maintenez le bouton de # enfoncée en même temps brancher le courant
- En entendant deux "Di" sonore puis arrêter d'appuyer le bouton de #, le système est maintenant les paramètres d'original

NOTE: Veuillez noter que seulement les données du programme d'installation sont initialisées, les données d'utilisateur ne seront pas affectées.

Indicateur de bip sonore et les témoins lumineux

État d'Operation	Rouge	Vert	Jaune	Buzzer
Allumer	-	Allumer	-	Di
En veille	Allumer	-	-	-
Appuyer keypad	-	-	-	Di
Operation avec succès	-	Allumer	-	Di
Operation a échoué	-	-	-	DiDiDi
Enter le mode de programming	Allumer	-	-	
Dans le mode de programming	-	-	Allumer	Di
Sortir le mode de programming	Allumer	-	-	Di
Ouvrier la porte	-	Allumer	-	Di

Guide de programmation détaillé

Eéglage d'utilisateur

Pour entrer le mode de programmation	* [Code de maître] # 999999 est le code de maître par défaut
Pour sortir le mode de programmation	*
Notez que pour effectuer la programmation suivante, l'utilisateur de maître doit être connecté	
Pour changer le code de maître	0 [Nouveau code] # [Nouveau code] # Le code de maître peut-être 6 chiffres
Régler le mode de travail Régler à être utilisé seulement par carte Régler à être utilisé seulement par carte et PIN Régler à être utilisé seulement par carte ou PIN	[3] [0] # Seulement carte [3] [1] # Seulement carte et PIN ensemble [3] [2] # Carte ou PIN (par défaut)
Pour ajouter un utilisateur qui utilise seulement carte ou PIN, c'est le mode de [3] [2] # mode (par défaut)	

<p>Pour ajouter l'utilisateur de PIN</p>	<p>1 ID de l'utilisateur # PIN #</p> <p>Le numéro d'ID peut être n'importe quel nombre entre 1 et 2000. Le code PIN peut être de quatre chiffres entre 0000 et 9999, à l'exception de 1234 qui est réservé. Les utilisateurs peuvent être ajoutés en continu sans quitter le mode de programmation.</p> <p>1 ID de l'utilisateur No.1 # PIN #</p> <p>ID de l'utilisateur No.2 # PIN #</p>
<p>Pour supprimer l'utilisateur qui utilise PIN</p>	<p>2 ID de l'utilisateur #</p> <p>Les utilisateurs peuvent être supprimés en continu sans quitter le mode de programmation.</p>
<p>Pour changer PIN que l'utilisateur utilise PIN (Cette étape doit être effectuée en sortant le mode de programmation)</p>	<p>* ID de l'utilisateur # ancienne PIN #</p> <p>nouveau PIN # nouveau PIN #</p>
<p>Pour ajouter l'utilisateur qui utilise la carte (méthode 1) C'est le moyen le plus rapide pour ajouter des cartes, numéro d'ID d'utilisateur génération automatique.</p>	<p>1 valider la carte #</p> <p>Les cartes peuvent être ajoutées en continu sans quitter le mode de programmation.</p>
<p>Pour ajouter l'utilisateur qui utilise la carte (méthode 2) C'est la manière alternative d'ajouter des cartes, utilisation de l'allocation d'ID utilisateur. Dans cette méthode, un ID utilisateur est alloué à une carte. Un seul ID utilisateur peut être alloué à une seule carte.</p>	<p>1 numéro de ID # valider la carte #</p> <p>Les cartes peuvent être ajoutées en continu sans quitter le mode de programmation.</p>
<p>Pour ajouter l'utilisateur qui utilise la carte (méthode 3) Le numéro de carte est les 8 derniers chiffres imprimés au verso de la carte, numéro d'identification de l'utilisateur génération automatique</p>	<p>1 numéro de carte #</p> <p>Les cartes peuvent être ajoutées en continu sans quitter le mode de programmation.</p>
<p>Pour ajouter l'utilisateur qui utilise la carte (méthode 4) Dans cette méthode, un ID utilisateur est alloué à un numéro de carte. Un seul ID utilisateur peut être attribué au numéro de la carte</p>	<p>1 numéro de ID # numéro de carte #</p> <p>Les cartes peuvent être ajoutées en continu sans quitter le mode de programmation.</p>
<p>Pour supprimer l'utilisateur qui utilise la carte Les utilisateurs peuvent être supprimés en continu sans quitter le mode de programmation</p>	<p>2 valider la carte #</p>
<p>Pour supprimer la carte que l'utilisateur qui utilise ID: Cette option peut être utilisée lorsqu'un utilisateur a perdu sa carte</p>	<p>2 ID #</p>

Pour supprimer la carte que l'utilisateur qui utilise numéro de carte : Cette option peut être utilisée lorsque l'utilisateur veut effectuer la modification, mais la carte a perdu	<p>2 [Numéro de carte] #</p> <p>Les utilisateurs peuvent être supprimées en continu sans quitter le mode de programmation</p>
Entrer le mode de carte et PIN pour ajouter la carte et PIN : 3 1 #	
Pour ajouter l'utilisateur qui utilise carte et PIN (Le code PIN est composé de quatre chiffres entre 0000 et 9999, à l'exception de 1234 qui est réservé)	<p>Ajouter la carte pour utilisateur de carte Appuyer [] pour sortir le mode de programmation, puis</p> <p>* [valider la carte] 1234 # [PIN #] [PIN #]</p>
Pour changer PIN en mode de carte et PIN (méthode 1) Notez que ceci est fait en sortant du mode de programmation pour que l'utilisateur puisse s'en charger lui-même	<p>* [valider la carte] [ancien PIN #]</p> <p>[nouveau PIN #] [nouveau PIN #]</p>
Pour changer PIN en mode de carte et PIN (méthode 2) Notez que ceci est fait en sortant du mode de programmation pour que l'utilisateur puisse s'en charger lui-même	<p>* [ID #] [ancien PIN #] [nouveau PIN #]</p> <p>[nouveau PIN #]</p>
Pour supprimer la carte et PIN (l'utilisateur utilise carte et PIN)	2 [ID] #
Pour ajouter l'utilisateur qui utilise la carte seulement. En mode de carte : Entrer le mode de carte : 3 0 #	
Pour ajouter et supprimer l'utilisateur qui utilise carte	<p>Même que ajouter et supprimer la carte en</p> <p>3 2 #</p>
Ouvrir la porte	
Pour utilisateur de PIN	Entrer [PIN] #
Pour utilisateur de carte	[Valider la carte]
Pour utilisateur de carte et PIN	[Valider la carte] [PIN #]

2. Réglage de la porte

Délai de sortie de relais	
Pour régler le temps d'ouvrir la porte	<p>* [code de maître] # 4 [0~99] # *</p> <p>(0~99 est 0~99 secondes d'ouvrir la porte)</p>

Etat normal: Pas de verrouillage du clavier ou d'alarme (réglage par défaut)	7 0 # (Réglage par défaut)
Verrouillage du clavier	7 1 #
L'alarme et le buzzer intérieur fonctionnent	7 2 #

Mode de Travail

Mode de contrôle d'accès autonome	*Code maître#73# La porte se verrouille automatiquement après avoir été ouverte normalement.
Mode de basculement de relais	*Code maître#74# La porte ne se verrouille pas automatiquement. Pour verrouiller la porte, l'utilisateur doit lire la carte ou appuyer sur le bouton de sortie.
Mode de lecteur	*Code maître#75 26/34# Entrée et sortie WG26/34

Sauvegarde de données. Exemple : Sauvegarder les données du poste A sur le poste B (Il faut fermer la sortie du clavier, (*Code maître##88#))

Relier la ligne verte et la ligne blanche du poste A à celles du poste B correspondamment. Premièrement, configurer B en mode réception, puis configurer A en mode émission. Pendant la sauvegarde des données, la lumière indicateur clignote en vert. La sauvegarde des données est réussie lorsque la lumière indicateur devient rouge.

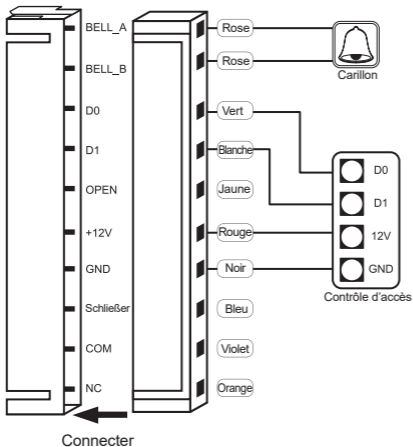
Entrée de sauvegarde de données	*Code maître#77# Le dispositif reçoit les données.
Sortie de sauvegarde de données	*Code maître#76#
données	Le dispositif reçoit les données.

Réglages de la LED, du Buzzer et du Clavier

Clignotement de la LED	*Code maître#80#	Par défaut
Éteindre la LED	*Code maître#81#	La LED reste éteinte
Allumer le Buzzer	*Code maître#85#	Par défaut
Éteindre le Buzzer	*Code maître#86#	Le Buzzer ne sonne pas
Activer la sortie du clavier	*Code maître#87#	La sortie du clavier est activée
Désactiver la sortie du clavier	*Code maître#88#	La sortie du clavier doit être désactivée lors de la sauvegarde des données

L'appareil fonctionne comme un lecteur de sortie Wiegand

Dans ce mode, l'unité prend en charge une sortie Wiegand 26 bits, de sorte que les lignes de données Wiegand peuvent être connectées à n'importe quel contrôleur prenant en charge une entrée Wiegand 26 bits.



GUIDE D'EXPOSITION À L'ÉNERGIE RF ET DE SÉCURITÉ DU



ATTENTION!

Avant d'utiliser cette radio, lisez ce guide qui contient des instructions importantes pour l'utilisation en toute sécurité, une prise de conscience de l'énergie RF et un contrôle de la conformité aux normes et réglementations en vigueur. und die Kontrolle der Einhaltung der geltenden Normen und Bestimmungen enthält.

Cette radio utilise l'énergie électromagnétique dans le spectre des fréquences radio (RF) pour assurer la communication entre deux utilisateurs ou plus à distance. L'énergie RF, qui, si elle est mal utilisée, peut causer des dommages biologiques.

Toutes les radios Reteless sont conçues, fabriquées et testées pour garantir leur conformité aux niveaux d'exposition aux RF établis par le gouvernement. En outre, les fabricants recommandent également des instructions d'utilisation spécifiques aux utilisateurs des radios. Ces instructions sont importantes car elles informent les utilisateurs sur l'exposition à l'énergie RF et fournissent des procédures simples pour la contrôler.

Veuillez consulter les sites Web suivants pour plus d'informations sur l'exposition en énergie RF et sur la manière de contrôler votre exposition afin de garantir le respect des limites d'exposition aux RF établies: <http://www.who.int/en/>

Réglementation du gouvernement local

Lorsque les radios sont utilisées à la suite d'un emploi, les réglementations des administrations locales exigent que les utilisateurs soient pleinement informés de leur exposition et en mesure de contrôler leur exposition pour répondre aux exigences professionnelles. La sensibilisation à l'exposition peut être facilitée par l'utilisation d'une étiquette de produit orientant les utilisateurs vers des informations de sensibilisation spécifiques. Votre radio Reteless a une étiquette de produit RF Exposure. De plus, votre manuel d'utilisation Reteless ou votre livret de sécurité distinct contient les informations et les instructions d'utilisation nécessaires pour contrôler votre exposition aux RF et satisfaire aux exigences de conformité.

Licence Radio (si approprié)

Les gouvernements maintiennent les radios en classification, les radios professionnelles fonctionnent sur des fréquences radio réglementées par les services de gestion des radios locales (FCC, ISED, OFCOM, ANFR, BFTK, Bundesnetzagentur, etc.). une licence délivrée par eux. La classification détaillée et l'utilisation de vos radios, veuillez contacter les services de gestion des radios du gouvernement local.

L'utilisation de cette radio en dehors du pays où elle devait être distribuée est soumise à la réglementation gouvernementale et peut être interdite.

Modification et ajustement non autorisés

Les changements ou modifications non expressément approuvés par la partie responsable de la conformité peuvent annuler l'autorité de l'utilisateur accordée par les services de gestion de la radio du gouvernement local pour utiliser cette radio et ne doivent pas être effectués. Pour se conformer aux exigences correspondantes, les réglages de l'émetteur ne doivent être effectués que par ou sous la supervision d'une personne techniquement qualifiée pour effectuer la maintenance et la réparation de l'émetteur dans les services fixes et mobiles terrestres privés, tels que certifiés par un organisme représentant l'utilisateur de ces appareils. prestations de service.

Le remplacement de tout composant émetteur (cristal, semi-conducteur, etc.) non autorisé par le gouvernement local, l'autorisation d'équipement de cette radio pour les départements de gestion des radiocommunications pourrait enfreindre les règles.

Exigences de la FCC:

• Cet appareil est conforme à la section 15 de la réglementation de la FCC. Le fonctionnement est soumis aux deux conditions suivantes:

- (1) Cet appareil ne doit pas causer d'interférences nuisibles, et
- (2) Cet appareil doit accepter toutes les interférences reçues, y compris celles susceptibles de provoquer un fonctionnement indésirable.

- Cet équipement a été testé et déclaré conforme aux limites applicables aux appareils numériques de classe B, définies à la section 15 du règlement de la FCC. Ces limites sont conçues pour fournir une protection raisonnable contre les interférences nuisibles dans une installation résidentielle. Cet équipement génère, utilise et peut émettre des fréquences radio et, s'il n'est pas installé et utilisé conformément aux instructions, il peut causer des interférences nuisibles aux communications radio. Cependant, rien ne garantit que des interférences ne se produiront pas dans une installation particulière. Si cet équipement provoque des interférences nuisibles avec la réception de radio ou de télévision, ce qui peut être déterminé en éteignant et en rallumant l'équipement, l'utilisateur est invité à tenter de corriger l'interférence en appliquant l'une ou plusieurs des mesures suivantes:
 - Réorientez ou déplacez l'antenne de réception.
 - Augmentez la distance entre l'équipement et le récepteur.
 - Connectez l'équipement à une prise d'un circuit différent de celui auquel le récepteur est connecté.
 - Consultez votre revendeur ou un technicien radio / TV expérimenté pour obtenir de l'aide.

Exigences CE:

- (Déclaration de conformité européenne simple) Henan Eshow Electronic Commerce SA déclare que le type d'équipement radio est conforme aux exigences essentielles et aux autres dispositions pertinentes de la directive RED 2014/53 / EU et de la directive ROHS 2011/65 / EU. et la directive DEEE 2012/19 / UE; Le texte complet de la déclaration de conformité UE est disponible à l'adresse Internet suivante: www.retekess.com.

•Disposition

Le symbole de la poubelle à roulettes barrée sur votre produit, votre littérature ou votre emballage vous rappelle que, dans l'Union européenne, tous les produits électriques et électroniques, piles et accumulateurs (piles rechargeables) doivent être conduits vers les lieux de collecte désignés à la fin de leur parcours. vie professionnelle. Ne jetez pas ces produits avec les déchets ménagers non triés. Jetez-les conformément aux lois en vigueur dans votre région.



Exigences IC:

Appareil radio exempté de licence

Cet appareil contient des émetteurs / récepteurs exemptés de licence conformes aux RSS (RSS) d'Innovation, Sciences et Développement économique Canada. Le fonctionnement est soumis aux deux conditions suivantes:

- (1) Cet appareil ne doit pas causer d'interférences.
- (2) Cet appareil doit accepter toutes les interférences, y compris celles susceptibles de provoquer un fonctionnement indésirable de l'appareil.

Le présent appareil est conforme au CNR d'Industrie Canada radio exemptée de licence. L'exploitation est autorisée aux deux conditions suivantes:

- (1) l'appareil ne doit pas produire de brouillage;
- (2) l'utilisateur de l'appareil doit accepter tout le brouillage radioélectrique subi, même si le brouillage est susceptible d'être compromis.

Informations sur l'exposition RF

- N'UTILISEZ PAS la radio sans l'antenne appropriée, car cela pourrait l'endommager et pourrait également vous amener à dépasser les limites d'exposition aux RF. Une antenne appropriée est l'antenne fournie avec cette radio par le fabricant ou une antenne spécifiquement autorisée par le fabricant pour une utilisation avec cette radio. Le gain d'antenne ne doit pas dépasser le gain spécifié par le fabricant.
- NE transmettez PAS pendant plus de 50% du temps total d'utilisation de la radio. Plus de 50% du temps peut entraîner le dépassement des exigences de conformité en matière d'exposition RF.
- Pendant les transmissions, votre radio génère une énergie RF pouvant éventuellement causer des interférences avec d'autres appareils ou systèmes. Pour éviter de telles interférences, éteignez la radio dans les zones où des panneaux indiquent de le faire.
- L'appareil est conforme aux spécifications RF lorsque l'appareil est utilisé à 5 mm de votre corps. Les pinces de ceinture, les étuis et les accessoires similaires utilisés par cet appareil ne doivent contenir aucun composant métallique. Les accessoires portés sur le corps qui ne répondent pas à ces exigences peuvent ne pas être conformes aux exigences d'exposition aux RF et doivent donc être évités.

- N'UTILISEZ PAS l'émetteur dans des zones sensibles aux radiations électromagnétiques telles que les hôpitaux, les avions et les sites de dynamitage.

Éviter le risque d'étouffement



Petites pièces. Pas pour les enfants de moins de 3 ans.

Protégez votre audition



- Utilisez le volume le plus faible nécessaire pour faire votre travail.
- Augmentez le volume uniquement si vous vous trouvez dans un environnement bruyant.
- Baissez le volume avant d'ajouter un casque ou une oreillette.
- Limitez le temps pendant lequel vous utilisez des oreillettes ou des écouteurs à un volume élevé.



- Lorsque vous utilisez la radio sans casque ni écouteur, ne placez pas le haut-parleur de la radio directement contre votre oreille.
- Faites preuve de prudence lorsque vous utilisez les écouteurs, car une pression sonore excessive des écouteurs et des écouteurs peut entraîner une perte auditive.

Remarque: l'exposition aux bruits forts de n'importe quelle source pendant de longues périodes peut affecter votre audition de manière temporaire ou permanente. Plus le volume de la radio est élevé, moins il faudra de temps avant que votre audition soit affectée. Les dommages auditifs causés par le bruit intense sont parfois indétectables au début et peuvent avoir un effet cumulatif.

Éviter les brûlures



Antennes

- N'utilisez pas de radio portable dont l'antenne est endommagée. Si une antenne endommagée entre en contact avec la peau lors de l'utilisation de la radio, une légère brûlure peut en résulter.

Piles (si approprié)

- Lorsque le matériau conducteur, tel que des bijoux, des clés ou des chaînes, touche les bornes exposées des batteries, un circuit électrique peut se terminer (court-circuiter la batterie) et devenir brûlant pour provoquer des blessures corporelles telles que des brûlures. Faites attention lorsque vous manipulez une batterie, en particulier lorsque vous la placez dans une poche, un sac à main ou un autre récipient contenant des objets métalliques

Longue transmission

- Lorsque l'émetteur-récepteur est utilisé pour des transmissions longues, le radiateur et le châssis chauffent.

Opération de sécurité



Interdire

- N'utilisez pas le chargeur à l'extérieur ou dans des environnements humides, utilisez uniquement dans des endroits secs.
- Ne démontez pas le chargeur, vous risqueriez un choc électrique ou un incendie.
- N'utilisez pas le chargeur s'il a été cassé ou endommagé de quelque manière que ce soit.
- Ne placez pas de radio portable dans la zone située au-dessus d'un airbag ou dans la zone de déploiement de celui-ci. La radio peut être propulsée avec une grande force et causer des blessures graves aux occupants du véhicule lors du déploiement de l'airbag.

Réduire les risques

- Tirez sur la fiche plutôt que sur le cordon lorsque vous débranchez le chargeur.
- Débranchez le chargeur de la prise secteur avant de procéder à tout entretien ou nettoyage.

- Contactez Reteless pour obtenir de l'aide concernant les réparations et le service.
- L'adaptateur doit être installé à proximité de l'équipement et doit être facilement accessible.
- Risque d'explosion si la batterie est remplacée par un type incorrect. Jetez les piles usagées conformément aux instructions.
- L'adaptateur doit être installé à proximité de l'équipement et doit être facilement accessible.
- La prise considérée comme un dispositif de déconnexion de l'adaptateur.
- La température de fonctionnement de l'EUT ne peut pas dépasser la plage spécifiée.

Accessoires approuvés



- Cette radio est conforme aux directives sur l'exposition aux radiofréquences lorsqu'elle est utilisée avec les accessoires Reteless fournis ou conçus pour le produit. L'utilisation d'autres accessoires peut ne pas garantir la conformité avec les consignes d'exposition aux RF et peut enfreindre les réglementations.
- Pour obtenir une liste des accessoires approuvés par Reteless pour votre modèle de radio, visitez le site Web suivant: <http://www.Reteless.com>

Descrizione

Questa unità è un Controllo di accesso autonomo multifunzione a porta singola con una tastiera di uscita Wiegand o un lettore di schede. È adatto per il montaggio sia all'interno che all'esterno in ambienti difficili, viene alloggiato in una custodia elettrolitica in lega di zinco, robusta e resistente agli atti vandalici, disponibile in argento lucido o opaco; L'elettronica è completamente a vaso, quindi l'unità è impermeabile e conforme a IP68; Questa unità supporta fino a 2000 utenti sulla scheda, un PIN da 4 cifre o una combinazione Card + PIN. Il lettore integrato supporta le schede 125KHZ EM.

L'unità ha molte funzioni extra tra cui la protezione dal cortocircuito corrente in uscita di blocco, l'uscita Wiegand e una tastiera retroilluminata. Queste caratteristiche rendono l'unità una scelta ideale per l'accesso alla porta, non solo per piccoli negozi o case, ma anche per applicazioni commerciali e industriali come fabbriche, magazzini, laboratori, banche e prigionieri.

Caratteristiche

- Impermeabile ed conforme a IP68
- Materiale in lega di zinco placcata anti-vandalò
- Programmazione completa dalla tastiera
- 2000 utenti, supporta Card, PIN, Card + PIN
- Può essere usato come una tastiera stand-alone retroilluminato
- Ingresso Wiegand 26 per collegamento al lettore esterno
- Uscita Wiegand 26 per la connessione a un Controllo
- Regolazione tempo di chiusura, tempo di apertura, tempo di allarme
- Consumo energetico basso (30 mA)
- Alta velocità operativa, <20 ms con 2000 utenti
- Protezione dal cortocircuito corrente in uscita
- Facile da installare e programmare
- Stato di funzionamento con LED indicatore rosso, giallo e verde

Specificazione

Tensione di lavoro	DC 12V ± 10%
Capacità di memoria	2000 schede utente
Distanza di lettura	3-6 cm
Corrente attiva	<60mA
Corrente inattiva	25±5 mA
Carico del blocco uscita	Max 3A
Temperatura di esercizio	-45°C ~ 60°C
Umidità di esercizio	10%- 90% RH
Impermeabile	Conforme a IP68
Tempo relè porta regolabile	0 -99 seconds
Interfaccia Wiegand	Wiegand 26 bit
Collegamenti di cablaggio	Serratura elettrica, pulsante di uscita, allarme esterno, lettore esterno

Lista imballaggio

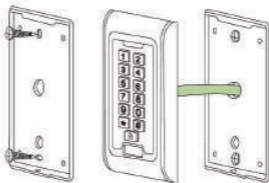
Nome	Quantità	Misure
Tastiera	1	
Manuale utente	1	
Cacciavite	1	Φ20mm×60mm, per tastiera
Tappo di gomma	2	Φ6mm×30 mm, per il fissaggio
Viti autofilettanti	2	Φ4mm×28 mm, per il fissaggio
Viti a stella	1	Φ3mm×6mm, per il fissaggio

NOTA: Si prega di assicurarsi che tutti i contenuti sopra siano corretti.

In caso di mancanze, si prega di avvisare il fornitore dell'unità.

Installazione

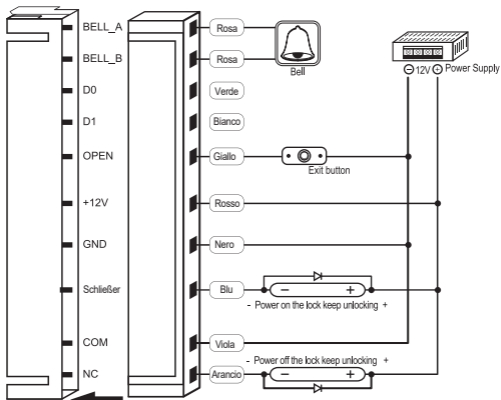
- Rimuovere il coperchio posteriore dalla tastiera utilizzando il cacciavite in dotazione
- Forare due fori sulla parete per le viti e uno foro per il cavo
- Inserire i tappi di gomma forniti nei due fori
- Fissare saldamente il coperchio posteriore alla parete
- Infilare il cavo attraverso il foro del cavo
- Richiudere la tastiera al coperchio posteriore



Schema cablaggio

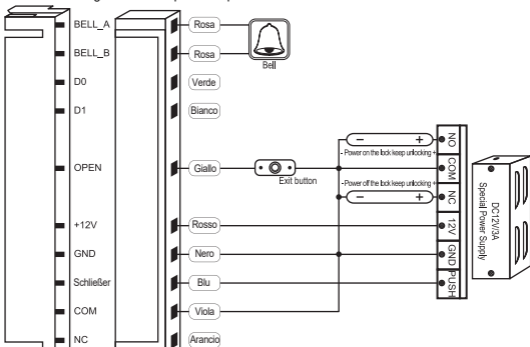
Colore	Stato	Descrizione
Rosa	BELL_A	Pulsante campanello un'estremità
Rosa	BELL_B	Pulsante campanello ad altro estremità
Verde	D0	Uscita WG D0
Bianco	D1	Uscita WG D1
Giallo	OPEN	Exit button one end (l'altra estremità collegata GND)
Rosso	12V+	12V+DC ingresso regolato
Nero	GND	12V- DC Ingresso regolato
Blu	Schließer	Terminale aperto (Collegare l'elettro-serratura positiva "-")
Viola	COM	Relè pubblico, collegare GND
Arancio	NC	Terminale chiuso (Collegare l'elettro-serratura positiva "-")

Schema di alimentazione comune



Connect

Schema di collegamento della potenza speciale:



Connect

Ripristinare i valori predefiniti di fabbrica

A. Disconnettere l'alimentazione dall'unità

B. Premere e tenere premuto il tasto "#" mentre si riaccende l'unità

C. Sentendo due "Di" rilasciare il tasto "#", il sistema è ora tornato alle impostazioni di fabbrica

NOTA: Viene ripristinato solo i dati del programma di installazione, e non quelli dell'utente

Indicazione suono e LED

Stato di operazione	LED Rosso	LED Verde	LED Giallo	Suono
anschalten	-	On	-	Di
Bereithalten	On	-	-	-
Drücken Sie die Tastatur	-	-	-	Di
Operation erfolgreich	-	On	-	Di
Operation scheitern	-	-	-	DiDiDi
Eintreten Programmiermodus	On	-	-	
Im Programmiermodus	-	-	On	Di
Zurücktreten Programmiermodus	On	-	-	Di
Öffne die Tür	-	On	-	Di

Guida alla programmazione dettagliata

1. Impostazioni utente

Per accedere alla modalità di programmazione	* [Master code] # "999999" è il codice principale di fabbrica predefinito
Per uscire dalla modalità di programmazione	*
Si prega di notare che per eseguire le seguenti programmazione l'utente principale deve essere registrato	
Per cambiare il codice principale	0 [New Code] # [New Code] # Il codice principale può contenere da 6 cifre
Impostazione della modalità di lavoro: Imposta solo utenti con carta Imposta solo utenti con carta e PIN Imposta solo utenti con carta o PIN	[3] [0] # Valido solo per carta [3] [1] # Valido per carta e PIN insieme [3] [2] # Valido per carta o PIN (predefinito)
Per aggiungere un utente con carta o PIN, nella modalità (Impostazione predefinita)	[3] [2] # .
	1 [User ID number] # [PIN] # Il "numero ID" è qualsiasi numero compreso tra 1 & 2000. Il PIN ha quattro cifre comprese tra 0000 & 9999 ad eccezione di 1234, che è riservato. Gli

<p>Per aggiungere un utente PIN</p>	<p>utenti possono essere aggiunti continuamente senza uscire dalla modalità di programmazione come segue:</p> <p>1 [User ID no 1] [#] [PIN] [#] [User ID no 2] [#] [PIN] [#]</p>
<p>Per eliminare un utente PIN</p>	<p>2 [User ID number] [#]</p> <p>Gli utenti possono essere cancellati continuamente senza uscire dalla modalità di programmazione</p>
<p>Per cambiare il PIN di un'altra utente PIN (Questo passaggio deve essere eseguito fuori dalla modalità di programmazione)</p>	<p>* [ID Nummer] [#] [Old PIN] [#] [New PIN] [#]</p> <p>[New PIN] [#]</p>
<p>Per aggiungere un utente con carta (Metodo 1) Questo è il modo più veloce per inserire le carte, generazione automatica del numero ID utente.</p>	<p>1 [Read card] [#]</p> <p>Le carte possono essere aggiunte continuamente senza uscire dalla modalità di programmazione</p>
<p>Per aggiungere un utente con carta (Metodo 2) Questo è il modo alternativo per inserire le carte utilizzando l'assegnazione del ID utente. In questo metodo, un ID utente viene assegnato a una carta. È possibile assegnare un solo ID utente a una singola scheda.</p>	<p>1 [ID Nummer] [#] [Read card] [#]</p> <p>L'utente può essere aggiunto continuamente senza uscire dalla modalità di programmazione</p>
<p>Per aggiungere un utente con carta (Metodo 3) Il numero della carta corrisponde alle ultime 8 cifre stampate sul retro della carta, generazione automatica del numero ID utente</p>	<p>1 [Card number] [#]</p> <p>L'utente può essere aggiunto continuamente senza uscire dalla modalità di programmazione</p>
<p>Per aggiungere un utente con carta (Metodo 4) In questo metodo, un ID utente viene assegnato a un numero di carta. È possibile assegnare un solo ID utente al numero della carta</p>	<p>1 [ID number.] [#] [Card number.] [#]</p> <p>L'utente può essere aggiunto continuamente senza uscire dalla modalità di programmazione</p>
<p>Per cancellare un utente con carta sulla carta. Nota gli utenti possono essere cancellati continuamente senza uscire dalla modalità di programmazione</p>	<p>2 [Read Card] [#]</p>
<p>Per cancellare un utente della carta sul ID utente. Questa opzione può essere utilizzata quando un utente ha perso la sua carta</p>	<p>2 [User ID] [#]</p>
<p>Per cancellare un utente della carta sul numero di carta. Questa opzione può essere utilizzata quando l'utente desidera apportare la modifica, ma la carta ha perso</p>	<p>2 [Card number] [#]</p> <p>Nota, gli utenti possono essere cancellati continuamente senza uscire dalla modalità di programmazione</p>

Per aggiungere un utente con carta e PIN,	in modalità (3 1 #)
Per aggiungere un utente con carta e PIN (Il PIN ha quattro cifre comprese tra 0000 & 9999 ad eccezione di 1234, che è riservato.)	Aggiungi la carta per un utente della carta Premere * per uscire dalla modalità di programmazione Quindi assegnare alla carta un PIN come segue: * Read card 1234 # PIN # PIN #
Per modificare un PIN in modalità carta e PIN (Metodo 1) Si noti che questo viene fatto al di fuori della modalità di programmazione, in modo che l'utente possa eseguire autonomamente questa operazione	* Read card Old PIN # New PIN # New PIN #
Per modificare un PIN in modalità carta e PIN (Metodo 2)	* ID number # Old PIN # New PIN # New PIN #
Per cancellare un utente con carta e PIN , basta cancellare la carta	2 User ID #
Per aggiungere un utente con carta, in modalità (3 0 #)	
Aggiungere ed eliminare un utente dalla carta	L'operazione è la stessa di aggiungere o cancellare un utente da una carta in 3 2 #
Per eliminare tutti gli utenti	
Per cancellare TUTTI gli utenti . Nota che questa è un'opzione importante , quindi usala con cura	2 0000 #
Per sbloccare la porta	
Per un utente PIN	Entra in PIN e premere #
Per un utente carta	Read card
Per un utente con carta e PIN	Read card quindi entra con PIN #

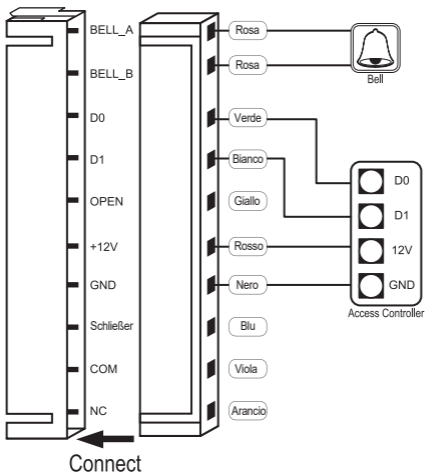
2. Impostazioni Porta

Tempo di ritardo dell'uscita relè	
Per impostare il tempo di attivazione del relè porta	* Master code # 4 0~99 # * Il 0-99 è quello di impostare il tempo di relè porta da 0-99 secondi
Stato normale: nessun blocco tastiera o allarme (impostazione di fabbrica)	7 0 # (Impostazione predefinita)
Blocco tastiera	7 1 #

Modalità di Lavoro		
Modalità di Controllo di Accesso Autonomo	*Codice Master##73# La porta viene automaticamente bloccata dopo essere stata aperta normalmente.	
Modalità di Toggle del Relè	*Codice Master##74# La porta non viene automaticamente bloccata. Per bloccare la porta, l'utente deve leggere la carta o premere il pulsante di uscita.	
Modalità Lettore	*Codice Master##75#26/34# Input e Output WG26/34	
<p>Backup Dati. Esempio: Backup dei dati del dispositivo A sul dispositivo B (Bisogna chiudere l'output della tastiera, (*Codice Master##88#)) Connettere il filo verde e il filo bianco del dispositivo A con quelli del dispositivo B in modo corrispondente. Impostare B in modalità ricezione per primo, poi impostare A in modalità invio. Durante il backup dati, il led lampeggia in verde. Il backup dati ha successo quando il led diventa rosso.</p>		
Input Backup Dati	*Codice Master##77# Il dispositivo riceve i dati.	
Data backup output	*Codice Master##76# Il dispositivo riceve i dati.	
Impostazioni LED, Cicalino e Tastiera		
LED Lampeggiante	*Codice Master##80#	Predefinito
LED Spento	*Codice Master##81#	LED rimane spento
Cicalino Acceso	*Codice Master##85#	Predefinito
Cicalino Spento	*Codice Master##86#	Il cicalino non suona
Output Tastiera Attivo	*Codice Master##87#	Output Tastiera Attivo
Output Tastiera Disattivo	*Codice Master##88#	Output Tastiera deve essere disattivato durante il backup dati

L'unità funziona come un lettore di uscita Wiegand

In questa modalità, l'unità supporta un uscita Wiegand a 26 bit, quindi le linee dati Wiegand possono essere collegate a qualsiasi controller che supporta un ingresso Wiegand a 26 bit.



ESPOSIZIONE ENERGETICA RF E GUIDA ALLA SICUREZZA DEL



ATTENZIONE!

Prima di utilizzare questa radio, leggere questa guida che contiene istruzioni operative importanti per l'utilizzo sicuro e la consapevolezza e il controllo dell'energia rf per la conformità agli standard e alle normative applicabili.

Questo radio utilizza l'energia elettromagnetica nello spettro a radiofrequenza (RF) per fornire comunicazioni tra due o più utenti su una distanza. Se usata in modo improprio, l'energia a radiofrequenza può causare danni biologici.

Tutti Reteless radio sono progettate, prodotte e testate per garantire che soddisfino i livelli di esposizione RF stabiliti dal governo. Inoltre, i produttori raccomandano anche istruzioni operative specifiche per gli utenti del radio. Queste istruzioni sono importanti perché informano gli utenti sull'esposizione a energia RF e forniscono semplici procedure su come controllarlo.

Si prega di fare riferimento ai seguenti siti Web per ulteriori informazioni su quale sia l'esposizione all'energia RF e su come controllare la propria esposizione per assicurare la conformità ai limiti stabiliti di esposizione alle radiofrequenze: <http://www.who.int/en/>

Regolamenti del governo locale

Quando le radio a due vie vengono utilizzate come conseguenza del lavoro, i regolamenti delle amministrazioni locali richiedono che gli utenti siano pienamente consapevoli e in grado di controllare la propria esposizione per soddisfare i requisiti professionali. La consapevolezza dell'esposizione può essere facilitata dall'uso di un'etichetta di prodotto che indirizza gli utenti a informazioni specifiche sulla consapevolezza dell'utente. La radio a due vie di Reteless ha un'etichetta di prodotto per esposizione a radiofrequenza. Inoltre, il manuale dell'utente Reteless o un libretto di sicurezza separato includono le informazioni e le istruzioni operative necessarie per controllare l'esposizione RF e soddisfare i requisiti di conformità.

Licenza radio

I governi mantengono le radio in classificazione, radio bidirezionali aziendali operano su frequenze radio che sono regolate dai dipartimenti di gestione radio locali (FCC, ISED, OFCOM, ANFR, BFTK, Bundesnetzagentur ...). Per trasmettere su queste frequenze, è richiesto di avere una licenza rilasciata da loro. La classificazione dettagliata e l'uso di radio, si prega di contattare i dipartimenti di gestione radio del governo locale.

L'utilizzo di questa radio al di fuori del paese in cui è previsto che sia distribuito è soggetto alle normative governative e altrimenti potrebbe essere vietato.

Modifica e regolazione non autorizzate

Cambiamenti o modifiche non espressamente approvati dalla parte responsabile della conformità, possono invalidare l'autorizzazione dell'utente concessa dai dipartimenti di gestione radiofonica del governo locale di utilizzare questa radio, e non dovrebbe essere effettuata. Per soddisfare i requisiti corrispondenti, le regolazioni del trasmettitore devono essere effettuate solo da o sotto la supervisione di una persona certificata come tecnicamente qualificata, per eseguire la manutenzione e le riparazioni del trasmettitore nei servizi mobili e fissi terrestri privati come certificato da un rappresentante dell'organizzazione dell'utente di tali Servizi.

La sostituzione di qualsiasi componente del trasmettitore (cristallo, semiconduttore, ecc.) non è autorizzato dai dipartimenti di gestione radio del governo locale, potrebbe violare le regole.

FCC Requisiti:

Questo dispositivo è conforme alla parte 15 delle norme FCC. Il funzionamento è soggetto alla condizione che questo dispositivo non causi interferenze dannose. (Le radio autorizzate sono applicabili);

(1) Questo dispositivo non causa interferenze dannose e

(2) questo dispositivo deve accettare qualsiasi interferenza ricevuta, incluse le interferenze che potrebbero causare un funzionamento indesiderato.

Questa apparecchiatura è stata testata e trovata conforme ai limiti per un dispositivo digitale di Classe B, in conformità alla parte 15 delle Norme FCC. Questi limiti sono progettati per fornire una

protezione ragionevole contro interferenze dannose quando l'apparecchiatura viene utilizzata in un ambiente commerciale.

Questa apparecchiatura genera utilizzi e può irradiare energia in radiofrequenza e, se non installata e utilizzata secondo le istruzioni, può causare interferenze dannose alle comunicazioni radio. Tuttavia, non vi è alcuna garanzia che non si verifichino interferenze in una particolare installazione. Se questa apparecchiatura causa interferenze dannose alla ricezione radio o televisiva, che possono essere determinate spegnendo e riaccendendo l'apparecchio, l'utente è incoraggiato a provare a correggere l'interferenza adottando una o più delle seguenti misure:

- Riorientare o riposizionare l'antenna ricevente.
- Aumentare la separazione tra l'apparecchiatura e il ricevitore.
- Collegare l'apparecchiatura a una presa su un circuito diverso da quello a cui è collegato il ricevitore.
- Consultare il rivenditore o un tecnico radio / TV esperto per assistenza.

CE Requisiti:

• (Dichiarazione di conformità UE semplice) Shenzhen Retekeess Technology Co., Ltd. dichiara che il tipo di apparecchiatura radio è conforme ai requisiti essenziali e alle altre disposizioni pertinenti della direttiva RED 2014/53 / UE e della direttiva ROHS 2011/65 / UE e la direttiva WEEE 2012/19 / UE; il testo completo della dichiarazione di conformità UE è disponibile al seguente indirizzo internet: www.retekeess.com.

• Disposizione

Il simbolo del bidone della spazzatura barrato sul prodotto, sulla documentazione o sulla confezione ricorda che nell'Unione Europea tutti i prodotti elettrici ed elettronici, le batterie e gli accumulatori (batterie ricaricabili) devono essere portati nei luoghi di raccolta designati alla fine del loro vita lavorativa. Non smaltire questi prodotti come rifiuti urbani non differenziati. Smaltirli secondo le leggi della Sua zona



IC Requisiti:

Apparecchio radio Licenza-libero

Questo dispositivo contiene / trasmettitore / ricevente di licenza-libero che soddisfano l'Innovazione, la Scienza e lo Sviluppo Economico RSS (s) esente da licenza del Canada. L'operazione è soggetta alle seguenti due condizioni:

- (1) Questo dispositivo non causa interferenze.
- (2) Questo dispositivo deve accettare qualsiasi interferenza, incluse le interferenze che possono causare un funzionamento indesiderato del dispositivo.

RF Informazione Esposizione

•NON utilizzare la radio senza un'antenna adeguata, in quanto ciò è possibile danneggiare la radio e potrebbe anche causare il superamento dei limiti di esposizione RF. Un'antenna adeguata è l'antenna fornita con questa radio dal produttore o un'antenna specificatamente autorizzata dal produttore per l'uso con questa radio, e il guadagno dell'antenna non deve superare il guadagno specificato dal produttore dichiarato.

• NON trasmettere per oltre il 50% del tempo totale di utilizzo della radio, più del 50% delle volte può causare il superamento dei requisiti di conformità all'esposizione RF.

• Durante le trasmissioni, la radio genera energia RF che può causare interferenze con altri dispositivi o sistemi. Per evitare tali interferenze, spegnere la radio nelle aree in cui sono presenti segnali per farlo.

•NON utilizzare il trasmettitore in aree sensibili alle radiazioni elettromagnetiche come ospedali, aerei e siti di sabbiatura.

Evitare il rischio di soffocamento



Piccole parti. Non per bambini sotto i 3 anni.

Protegge il Suo udito



- Utilizzare il volume più basso necessario per svolgere il proprio lavoro.
 - Alzare il volume solo se ci si trova in un ambiente rumoroso.
 - Abbassare il volume prima di aggiungere l'auricolare o la cuffia.
 - Limitare la quantità di tempo in cui si utilizzano auricolari o cuffie a volume elevato.
 - Quando si utilizza la radio senza auricolare o cuffia, non posizionare l'altoparlante della radio direttamente contro l'orecchio
 - Usare prudentemente con l'auricolare, è possibile che la pressione eccessiva del suono proveniente dagli auricolari e dalle cuffie possa causare la perdita dell'udito
- Nota: l'esposizione a forti rumori provenienti da qualsiasi fonte per lunghi periodi di tempo può influenzare temporaneamente o permanentemente l'udito. Più forte è il volume della radio, meno tempo è necessario prima che l'udito possa essere influenzato. Il danno uditivo da rumore forte a volte non rilevabile e può avere un effetto cumulativo.



Evitare le ustioni



Antenne

- Non utilizzare alcuna radio portatile con antenna danneggiata. Se un'antenna danneggiata viene a contatto con la pelle quando la radio è in uso, può verificarsi una lieve ustione.

Batterie (se appropriato)

- Quando il materiale conduttivo come gioielli, chiavi o catene tocca i terminali esposti delle batterie, può completare un circuito elettrico (cortocircuitare la batteria) e diventare caldo per causare lesioni personali come ustioni. Esercitare la massima attenzione nel maneggiare qualsiasi batteria, in particolare quando la si ripone in una tasca, in una borsa o in un altro contenitore con oggetti metallici

Trasmissione lunga

- Quando il ricetrasmittitore viene utilizzato per trasmissioni lunghe, il radiatore e il telaio si surriscaldano.

Operazione di sicurezza



Vietare

- Non utilizzare il caricabatterie all'aperto o in ambienti umidi, utilizzare solo in luoghi / condizioni asciutti.
- Non smontare il caricabatterie per evitare il rischio di scosse elettriche o incendi.
- Non utilizzare il caricabatterie se è stato rotto o danneggiato in alcun modo.
- Non posizionare una radio portatile nell'area sopra un airbag o nell'area di espansione dell'air bag. La radio può essere spinta con grande forza e causare gravi lesioni agli occupanti del veicolo quando l'airbag si gonfia.

Per ridurre il rischio

- Tirare la spina anziché il cavo quando si scollega il caricabatterie.
- Scollegare il caricabatterie dalla presa CA prima di eseguire qualsiasi manutenzione o pulizia.
- Contattare ReteKess per assistenza in merito a riparazioni e assistenza.
- L'adattatore deve essere installato vicino all'apparecchiatura e deve essere facilmente accessibile

Accessori approvati



- Questa radio soddisfa le linee guida sull'esposizione RF quando viene utilizzata con gli accessori retekess in dotazione o designati per il prodotto. L'uso di altri accessori potrebbe non garantire la conformità alle linee guida sull'esposizione alle radiofrequenze e potrebbe violare le normative.
- Per un elenco degli accessori approvati da retekess per il proprio modello di radio, visitare il seguente sito Web: <http://www.retekess.com>

Descripción

La unidad es un controlador de acceso independiente de puerta o un teclado de salida Wiegand o un lector de tarjetas. Es adecuado para el montaje en interiores o al aire libre en entornos hostiles. Está alojado en una caja galvanizada de aleación de zinc fuerte, robusta y a prueba de vandalismo que está disponible en acabado plateado brillante o plateado mate. Los componentes electrónicos están completamente en macetas, por lo que la unidad es resistente al agua y cumple con IP68. Esta unidad admite hasta 2000 usuarios en una tarjeta, un PIN de 4 dígitos o una opción de Tarjeta + PIN. El lector de tarjetas incorporado admite tarjetas EM de 125KHZ. La unidad tiene muchas características adicionales, incluida la protección contra cortocircuitos de corriente de salida de bloqueo, salida Wiegand y un teclado retroiluminado. Estas características hacen que la unidad sea una opción ideal para el acceso a la puerta, no solo para tiendas pequeñas y hogares domésticos, sino también para aplicaciones comerciales e industriales como fábricas, almacenes, laboratorios, bancos y prisiones.

Características

- A prueba de agua, conforme a IP68
- Estuche antivandálico electrodepositado de aleación de zinc fuerte
- Programación completa desde el teclado
- 2000 usos, admite Tarjeta, PIN, Tarjeta + PIN
- Se puede usar como un teclado independiente
- Teclas de luz de fondo
- Entrada Wiegand 26 para conexión a lector externo
- Salida Wiegand 26 para conexión a un controlador
- Tiempo de salida de puerta ajustable, tiempo de alarma, tiempo abierto de puerta
- Consumo de energía muy bajo (30 mA)
- Velocidad de operación rápida, <20ms con 2000 usuarios
- Protección de cortocircuito de corriente de salida de bloqueo
- Fácil de instalar y programar
- LEDs rojo, amarillo y verde muestran el estado de trabajo

Especificaciones

Tensión de funcionamiento	DC 12V \pm 10%
Capacidad del usuario	2000
Distancia de lectura de la tarjeta	3-6 cm
Corriente activa	<60mA
Corriente de reposo	25 \pm 5 mA
Bloquear carga de salida	Max 3A
Temperatura de funcionamiento	-45 $^{\circ}$ C ~ 60 $^{\circ}$ C
Humedad de funcionamiento	10%- 90% HR
Impermeable	Conforme to IP68
Tiempo de relé de puerta ajustable	0 -99 segundos
Wiegand Interfaz	Wiegand 26 bit
Conexiones de cableado	Cerradura eléctrica, botón de salida, alarma externa, lector externo

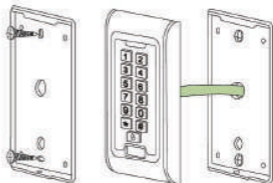
Lista de embalaje

Nombre	Cantidad	Observaciones
Teclado	1	
Manual del usuario	1	
Destornillador	1	Φ20mm×60mm, Special for keypad
Enchufe de goma	2	Φ6mm×30 mm, used for fixing
Tornillos autorroscantes	2	Φ4mm×28 mm, used for fixing
Tornillos estrella	1	Φ3mm×6mm, used for fixing

Por favor, asegúrese de que todos los contenidos anteriores sean correctos. Si falta alguno, contacte al proveedor de la unidad.

Instalación

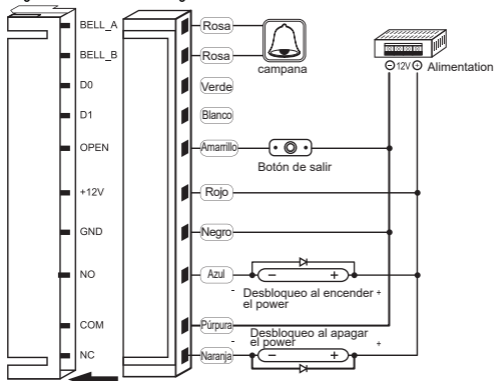
- Retire la cubierta posterior del teclado con el destornillador especial suministrado.
- Perfore dos orificios en la pared para los tornillos autorroscantes y un orificio para el cable.
- Coloque los tapones de goma suministrados en los dos orificios
- Fije la cubierta posterior firmemente en la pared con 2 tornillos autorroscantes
- Pase el cable por el orificio del cable
- Conecte el teclado a la cubierta posterior.



Cable

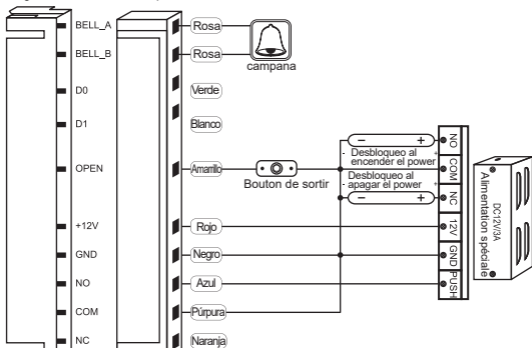
Color	Funciones	Descripción
Rosa	BELL_A	Un extremo de botón del timbre
Rosa	BELL_B	Otro extremo de botón del timbre
Verde	D0	WG salida D0
Blanco	D1	WG salida D1
Amarrillo	OPEN	un extremo de botón de salida (el otro extremo conectado a GND)
Rojo	12V+	12V + DC Entrada de energía regulada
Negro	GND	12V - DC Entrada de energía regulada
Azul	NO	Relé normalmente conectado (Conectar bloqueo eléctrico positivo "-")
Púrpura	COM	Relé público extremo, conecte GND
Naranja	NC	Relé Cerrado (conecte el cerrojo eléctrico negativo "-")

Diagrama de suministro de energía común:



Connecter

Diagramme d'alimentation spécial



Connecter

Restaura la configuración de fábrica

a. Desconecte la energía de la unidad

b. Mantenga presionada la tecla # mientras enciende la unidad

c. Al escuchar dos "Di" soltar la tecla #, el sistema ha vuelto a la configuración de fábrica

NOTA: tenga en cuenta que solo se restaurarán los datos del instalador, los datos del usuario no se verán afectados

Indicación de sonido y luz

Estado de la operación	Luz roja	Luz verde	Luz amarillo	Zumbador
Encendido	-	Ilumina	-	Di
Stand by	Ilumina	-	-	-
Presione el teclado	-	-	-	Di
Operación exitosa	-	Ilumina	-	Di
Operación fallida	-	-	-	DiDiDi
Entrar en el modo de programación	Ilumina	-	-	
En el modo de programación	-	-	Ilumina	Di
Salir del modo de programación	Ilumina	-	-	Di
Abre la puerta	-	Ilumina	-	Di

Guía detallada de programación

1. Configuración del usuario

Para ingresar al modo de programación	* [código maestro] # 999999 es el código maestro de fábrica predeterminado
Pour sortir le mode de programmation	*
Tenga en cuenta que para llevar a cabo la siguiente programación, el usuario maestro debe estar conectado	
Para cambiar el código maestro	0 [código nuevo] # [código nuevo] # Le code de maître peut-être 6 chiffres
Configurando el modo de trabajo: Establecer usuarios únicos con tarjeta válida Establecer usuarios válidos de tarjetas y PIN Establecer usuarios válidos de tarjetas o PIN	[3] [0] # La entrada es solo por tarjeta [3] [1] # La entrada es por tarjeta y PIN juntos [3] [2] # La entrada es por tarjeta o PIN
Para agregar un usuario en el modo de tarjeta o PIN, es decir, en el modo (Configuración predeterminada)	[3] [2] #

<p>Para agregar un PIN usuario</p>	<p>1 [usuario ID] [#] [PIN] [#]</p> <p>El número de ID es cualquier número entre 1 y 2000. El PIN tiene cuatro dígitos entre 0000 y 9999 con la excepción de 1234 que está reservado. Usuarios se puede agregar continuamente sin salir modo de programación de la siguiente manera:</p> <p>1 [usuario ID No. 1] [#] [PIN] [#] [usuario ID No. 2] [#] [PIN] [#]</p>
<p>Para eliminar un PIN usuario</p>	<p>2 [usuario ID] [#]</p> <p>Los usuarios pueden eliminarse continuamente sin salir del modo de programación</p>
<p>Para cambiar el PIN de un PIN usuario (Este paso debe realizarse fuera del modo de programación)</p>	<p>* [ID Número] [#] [antiguo PIN] [#] [nuevo PIN]</p> <p>[#] [nuevo PIN] [#]</p>
<p>Para agregar un usuario de tarjeta (Método 1)</p> <p>Esta es la manera más rápida de ingresar tarjetas, generación automática de número de identificación de usuario.</p>	<p>1 [Leer la tarjeta] [#]</p> <p>Las tarjetas se pueden agregar continuamente sin salir del modo de programación</p>
<p>Para agregar un usuario de tarjeta (Método 2)</p> <p>Esta es la forma alternativa de ingresar tarjetas utilizando la Asignación de ID de usuario. En este método, se asigna una ID de usuario a una tarjeta. Solo se puede asignar una ID de usuario a una sola tarjeta</p>	<p>1 [ID número] [#] [Leer la tarjeta] [#]</p> <p>Los usuarios se pueden agregar continuamente sin salir del modo de programación</p>
<p>Para agregar un usuario de tarjeta (Método 3)</p> <p>Número de tarjeta son los últimos 8 dígitos impresos en la parte posterior de la tarjeta, número de identificación de usuario auto generación</p>	<p>1 [Número de tarjeta] [#]</p> <p>Los usuarios se pueden agregar continuamente sin salir del modo de programación</p>
<p>Para agregar un usuario de tarjeta (Método 4)</p> <p>En este método, se asigna una ID de usuario a un número de tarjeta. Solo se puede asignar una identificación de usuario al número de tarjeta</p>	<p>1 [ID Número] [#] [Tarjeta número] [#]</p> <p>Los usuarios se pueden agregar continuamente sin salir del modo de programación</p>
<p>Para eliminar un usuario de tarjeta por tarjeta. Tenga en cuenta que los usuarios pueden eliminarse continuamente sin salir del modo de programación</p>	<p>2 [leer tarjeta] [#]</p>
<p>Para eliminar un usuario de tarjeta por ID de usuario. Esta opción se puede usar cuando un usuario ha perdido su tarjeta</p>	<p>2 [ID usuario] [#]</p>

Para eliminar un usuario de tarjeta por número de tarjeta. Esta opción se puede usar cuando el usuario desea realizar el cambio pero la tarjeta se ha perdido	[2] [Número de tarjeta] [#] Nota: los usuarios pueden eliminarse continuamente sin salir del modo de programación
Para agregar un usuario de tarjeta y PIN en modo de tarjeta y PIN ([3] [1] [#])	
Para agregar una tarjeta y un usuario Pin (El PIN tiene cuatro dígitos entre 0000 & 9999 a excepción de 1234 que está reservado.)	Agregue la tarjeta como para un usuario de tarjeta Presione [*] para salir del modo de programación A continuación, asigne a la tarjeta un PIN de la siguiente manera: [*] [Leer la tarjeta] [1234 #] [PIN #] [PIN #]
Para cambiar un PIN en el modo de tarjeta y PIN (Método 1) Tenga en cuenta que esto se hace afuera modo de programación para que el usuario pueda hacer esto por sí mismo	* [Leer tarjeta] [PIN antiguo #] [PIN nuevo #] [Nuevo PIN #]
Para cambiar un PIN en el modo de tarjeta y PIN (Método 2) Tenga en cuenta que esto se hace afuera modo de programación para que el usuario pueda hacer esto por sí mismo	* [Número de ID #] [PIN antiguo #] [PIN nuevo #] [Nuevo PIN #]
Para eliminar un usuario de Tarjeta y PIN , simplemente elimine la tarjeta	[2] [ID del usuario] [#]
Para agregar un usuario de tarjeta en modo de tarjeta ([3] [0] [#])	
Para agregar y eliminar un usuario de tarjeta	El operación es lo mismo que agregar y eliminar un usuario de tarjeta en [3] [2] [#]
Para eliminar Todos los usuarios	
Para eliminar TODOS los usuarios . Tenga en cuenta que esta es una opción peligrosa , así que use con cuidado	[2] [0000] [#]
Para desbloquear la puerta	
Para un usuario PIN	Ingresa el [PIN] y luego presiona [F]
Para una tarjeta de usuario	[Leer la tarjeta]
Para un usuario de tarjeta y PIN	[Lee la tarjeta] y luego ingresa el [PIN #]

2. Configuración de la puerta

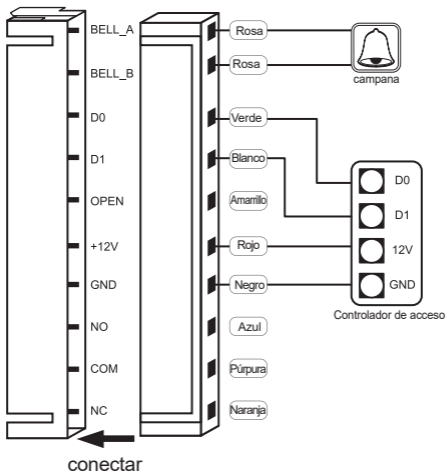
Tiempo de retardo de salida del relé	
Para establecer el tiempo de paro del relé de la puerta	* [Código maestro] [#] [4] [0~99] [#] [*] 0-99 es configurar el tiempo del relé de la puerta 0-99 segundos

Estado normal: sin bloqueo ni alarma del teclado (predeterminado de fábrica)	7 0 # (configuración predeterminada de
Bloqueo del teclado	7 1 #

Modos de Trabajo	
Modo de Control de Acceso Independiente	*Código Maestro#73# La puerta se bloqueará automáticamente después de abrirse normalmente.
Modo de Alternancia de Relé	*Código Maestro#74# La puerta no se bloqueará automáticamente. Para bloquear la puerta, el usuario debe leer la tarjeta o presionar el botón de salida.
Modo de Lectura	*Código Maestro#7526/34# Entrada y salida WG26/34
<p>Copia de Seguridad de Datos. B Ejemplo: Copiar los datos de la máquina A a la máquina B (Debe cerrarse la salida del teclado, (*Código Maestro#88#))</p> <p>Conectar el cable verde y el cable blanco de la máquina A con los del máquina B correspondientemente. Primero, configurar B en modo de recepción, luego configurar A en modo de envío. Durante la copia de seguridad de datos, el indicador parpadea en verde. La copia de seguridad de datos es exitosa cuando el indicador se vuelve rojo.</p>	
Entrada de Copia de Seguridad de Datos	*Código Maestro#77# El dispositivo recibirá los datos.
Salida de Copia de Seguridad de Datos	*Código Maestro#76# El dispositivo recibirá los datos.
Configuración de LED, Buzzer y Teclado	
Parpadeo de LED	*Código Maestro#80# Predeterminado
Apagar LED	*Código Maestro#81# El LED permanece apagado
Encender Buzzer	*Código Maestro#85# Predeterminado
Apagar Buzzer	*Código Maestro#86# El buzzer no sonará
Encender Salida del Teclado	*Código Maestro#87# La salida del teclado está encendida
Apagar Salida del Teclado	*Código Maestro#88# La salida del teclado debe apagarse durante la copia de seguridad de datos

La unidad funciona como un lector de salida Wiegand

En este modo, la unidad admite una salida Wiegand de 26 bits, por lo que las líneas de datos Wiegand se pueden conectar a cualquier controlador que admita una entrada Wiegand de 26 bits.



RF EXPOSICIÓN ENERGÉTICA Y GUÍA DE SEGURIDAD DE PRODOTTO



ATTENZIONE!

Antes de usar esta radio, lea esta guía que contiene instrucciones de operaciones importantes para un uso seguro y control de la energía de RF y para cumplir con las normas y regulaciones.

Esta radio utiliza energía electromagnética en el espectro de radiofrecuencia (RF) para proporcionar comunicaciones entre dos o más usuarios en una distancia. La energía de RF, si se usa incorrectamente, puede causar daño biológico.

Todas las radios Retekeess están diseñadas, fabricadas y probadas para garantizar que cumplan con los niveles de exposición a RF establecidos por el gobierno. Además, los fabricantes también recomiendan instrucciones de funcionamiento específicas para los usuarios de las radios. Estas instrucciones son importantes porque informan a los usuarios sobre la exposición a la energía de RF y proporcionan procedimientos simples sobre cómo controlarla.

Consulte los siguientes sitios web para obtener más información sobre qué es la exposición a la energía de RF y cómo controlar su exposición para garantizar el cumplimiento de los límites de exposición a RF establecidos: <http://www.who.int/en/>

Regulaciones del Gobierno Local

Cuando las radios se utilizan como consecuencia del empleo, las regulaciones del gobierno local requieren que los usuarios estén plenamente conscientes y sean capaces de controlar su exposición para cumplir con los requisitos ocupacionales. El conocimiento a la exposición puede facilitarse mediante el uso de una etiqueta del producto que indique a los usuarios información específica sobre el conocimiento del usuario. Su radio Retekeess tiene una etiqueta de producto de exposición a RF. Además, su manual de usuario de Retekeess o su folleto de seguridad incluye información e instrucciones de funcionamiento necesarios para controlar su exposición a RF y para cumplir con los requisitos de conformidad.

Licencia de Radio (Sí corresponde)

Los Gobiernos mantienen las radios de manera clasificada, las radios comerciales pueden operar en frecuencias de radio que están reguladas por los departamentos de administración de radio locales (FCC, ISED, OFCOM, ANFR, BFTK, Bundesnetzagentur ...). Para transmitir en estas frecuencias, se requiere que tenga una licencia expedida por ellos. Para consultar la clasificación detallada y el uso de sus radios, comuníquese con los departamentos de administración de radio del Gobierno Local. El uso de esta radio fuera del país está sujeto a regulaciones gubernamentales y puede estar prohibido.

Modificación y ajustes no autorizados

Los cambios o modificaciones no aprobados expresamente por la parte responsable pueden anular la autoridad del usuario otorgada por los departamentos de administración de radio de Gobierno local para operar la radio y no deben realizarse. Para cumplir con los requisitos correspondientes, los ajustes del transmisor se deben hacer solo por o bajo la supervisión de una persona certificada como técnicamente calificada para realizar el mantenimiento y reparaciones en los servicios fijos y móviles terrestres privados, según lo certifique una Organización representativa del usuario de dichos servicios.

El reemplazo de cualquier componente del transmisor (cristal, semiconductor, etc.) no autorizado por el Gobierno local y por los departamentos de administración de esta radio podría violar las reglas.

Requisitos de la FCC:

•Este dispositivo cumple con la parte 15 de las Reglas de la FCC. La operación está sujeta a dos condiciones:

- (1) Este dispositivo no puede causar interferencias perjudiciales, y
- (2) Este dispositivo puede aceptar cualquier interferencia recibida, incluidas las interferencias que puedan causar un funcionamiento no deseado.

Este equipo ha sido probado y cumple con los límites para un dispositivo digital de Clase B, de conformidad con la Parte 15 de las Normas de la FCC.

Estos límites están diseñados para proporcionar una protección razonable contra interferencias perjudiciales en una instalación residencial.

El uso de este equipo puede generar y emitir energía de radiofrecuencia y, sino se instala y utiliza de acuerdo con las instrucciones, puede causar interferencias perjudiciales en las comunicaciones de radio. Sin embargo, no hay garantía de que no se produzcan interferencias en una instalación en particular. Si este equipo causa interferencias perjudiciales en la recepción de radio o televisión, lo cual puede determinarse encendiendo y apagando el equipo, se recomienda al usuario que intente corregir la interferencia tomando una o más de las siguientes medidas:

- Reorientar o reubicar la antena receptora.
 - Aumente la separación entre el equipo y el receptor.
 - Conecte el equipo a una toma de corriente en un circuito diferente al que está conectado el receptor.
- Consulte con el distribuidor o con un técnico de radio / TV experimentado para obtener ayuda.

Requisitos CE:

• (Declaración de conformidad de la UE) Henan Eshow Electronic Commerce Co., Ltd declara que el tipo de equipo de radio cumple con los requisitos esenciales y otras disposiciones relevantes de la Directiva RED 2014/53 / UE y la Directiva ROHS 2011/65 / UE y la Directiva WEEE 2012/19 / EU; El texto completo de la declaración de conformidad de la UE está disponible en la siguiente dirección de Internet: www.retekess.com.

• Disposición

El símbolo del contenedor con ruedas tachado en su product, documentación, o embalaje le recuerda que en la Unión Europea, todos los productos eléctricos y electrónicos, baterías y acumuladores (baterías recargables) deben llevarse a los lugares de recolección designados al final de su vida laboral.



No deseches estos productos como residuos municipales sin clasificar. Deséchelas de acuerdo con las leyes de su área.

Requisitos de IC:

Aparatos de radio exentos de licencia

Este dispositivo contiene transmisor(es) / receptor(es) exento(s) de licencia que cumplen con los RSS (s) exentos de licencia de Innovación, Ciencia y Desarrollo Económico de Canadá.

La operación está sujeta a las siguientes dos condiciones:

- (1) Este dispositivo no puede causar interferencias.
- (2) Este dispositivo debe aceptar cualquier interferencia, incluida la interferencia que pueda causar un funcionamiento no deseado del dispositivo.

El presente documento está de acuerdo con las normas CNR de la Industria de Canadá.

La explotación está autorizada por las siguientes condiciones:

- (1) l'appareil ne doit pas produire de brouillage;
- (2) l'utilisateur de l'appareil doit accepter tout brouillage radioélectrique subi, même si le brouillage est susceptible d'en compromettre le fonctionnement.

Información de exposición a RF

• NO opere la radio sin una antena adecuada conectada, ya que esto puede dañar la radio y también puede hacer que exceda los límites de exposición de RF. Una antena adecuada es la suministrada por el fabricante o una antena específicamente autorizada por el fabricante, y el uso de la antena no debe exceder el especificado por el fabricante.

• No transmita el uso de la radio por más del 50% del tiempo total, ya que puede causar que se excedan los requisitos de cumplimiento de exposición de RF

• Durante las transmisiones, su radio genera energía de RF que posiblemente pueda causar interferencia con otros dispositivos o sistemas. Para evitar dicha interferencia, apague la radio en las áreas donde se colocan letreros para hacerlo.

• El dispositivo cumple con las especificaciones de RF cuando se usa a 5 mm de su cuerpo. Los clips, fundas y accesorios similares de terceros utilizados por este dispositivo no deben contener componentes metálicos. Los accesorios usados en el cuerpo que no cumplan con estos

requisitos pueden no cumplir con los requisitos de exposición a RF y deben evitarse.

- NO opere el transmisor en áreas que sean sensibles a la radiación electromagnética, como hospitales, aeronaves y sitios de voladuras.

Evitar el peligro de asfixia



Contiene pequeñas partes. No apto para niños menores

Protege tu audición



ADVERTENCIA

- Use el volumen más bajo necesario para hacer su trabajo.
- Suba el volumen solo si se encuentra en entornos ruidosos.
- Baje el volumen antes de agregar los auriculares o el auricular.
- Limite la cantidad de tiempo que usa los auriculares con un volumen alto.
- Cuando utilice la radio sin auriculares, no coloque el altavoz de la radio directamente contra su oído.
- Tenga cuidado con el auricular, tal vez la presión excesiva del sonido de los auriculares puede causar pérdida de audición



Nota: la exposición a ruidos fuertes de cualquier fuente durante largos períodos de tiempo puede afectar su audición de forma temporal o permanente. Cuanto más alto sea el volumen de la radio, menos tiempo se requiere para que su audición se vea afectada. El daño auditivo debido a ruidos fuertes a veces no es detectable al principio y puede tener un efecto acumulativo.

Evitar quemaduras



ADVERTENCIA

Las antenas

- No use ninguna radio portátil que tenga una antena dañada. Si una antena dañada entra en contacto con la piel cuando la radio está en uso, se puede producir una pequeña quemadura.

Baterías (si es el caso)

- Cuando el material conductor, como joyas, llaves o cadenas, toque los terminales expuestos de las baterías, puede completar un circuito eléctrico (cortocircuitar la batería) y calentarse para provocar lesiones corporales, como quemaduras. Tenga cuidado al manipular cualquier batería, especialmente cuando la coloque dentro de un bolsillo, bolso u otro recipiente con objetos metálicos

Transmisión larga

- Cuando el transceptor se usa para transmisiones largas, el radiador y el chasis se pueden calentar.

Operación de seguridad



ADVERTENCIA

Prohibido

- No use el cargador al aire libre o en ambientes húmedos, use solo en lugares / condiciones secos.
- No desarme el cargador, ya que podría provocar un incendio o una descarga eléctrica.
- No opere el cargador si está roto o dañado de alguna manera.
- No coloque una radio portátil en el área sobre una bolsa de aire o en el área de despliegue de la bolsa de aire. La radio puede ser propulsada con gran fuerza y causar lesiones graves.

Para reducir el riesgo

- Tire del enchufe en lugar del cable cuando desconecte el cargador.
- Desenchufe el cargador de la toma de CA antes de intentar cualquier mantenimiento o limpieza.
- Póngase en contacto con Reteless para obtener ayuda con las reparaciones y el servicio.
- El adaptador debe instalarse cerca del equipo y debe ser fácilmente accesible.

- Riesgo de explosión si la batería se reemplaza por un tipo incorrecto. Deseche las baterías usadas de acuerdo con las instrucciones.
- El adaptador debe instalarse cerca del equipo y debe ser fácilmente accesible.
- El enchufe considerado como dispositivo de desconexión del adaptador.
- La temperatura de funcionamiento del EUT no puede exceder el rango especificado.

Accesorios aprobados



- Esta radio cumple con las pautas de exposición a RF cuando se utiliza con los accesorios Retekeess suministrados o designados para el producto. El uso de otros accesorios puede no garantizar el cumplimiento de las pautas de exposición a RF y puede infringir las regulaciones.
- Para obtener una lista de los accesorios aprobados por Retekeess para su modelo de radio, visite el siguiente sitio web: <http://www.Retekeess.com>

EC

Germany Retevis Technology GmbH
Uetzenäcker 29, 38176 Wendeburg

REP

Retevis-Europa@outlook.com
Tel:+0049 053029369179

Guarantee

Model Number: _____

Serial Number: _____

Purchasing Date: _____

Dealer: _____ Telephone: _____

User's Name: _____ Telephone: _____

Country: _____ Address: _____

Post Code: _____ Email: _____

Remarks:

1. This guarantee card should be kept by the user, no replacement if lost.
 2. Most new products carry a two-year manufacturer's warranty from the date of purchase.
 3. The user can get warranty and after-sales service as below:
 - Contact the seller where you buy.
 - Products Repaired by Our Local Repair Center
 4. For warranty service, you will need to provide a receipt proof of purchase from the actual seller for verification
- Exclusions from Warranty Coverage:
1. To any product damaged by accident.
 2. In the event of misuse or abuse of the product or as a result of unauthorized alterations or repairs.
 3. If the serial number has been altered, defaced, or removed.



Points de collecte sur www.quelretourmesdechets.fr
Privilégier la réparation au lieu de votre appareil !



HONG KONG RETEKESS CO., LIMITED

Add: FLAT/RM G 196 MONG TSENG TSUEN PING
SHAN YUEN LONG NT, HONGKONG

E-mail: support@retkess.com

Web: www.retekess.com



MADE IN CHINA