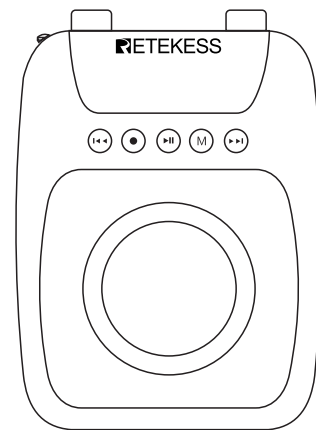




User Manual

AMPLIFIER • DIGITAL PLAYER



TR623

Product Introduction

Thank you for using Reteless Voice Amplifier and Digital player. It is a public address system that amplifies your voice with good sound quality. It is an FM radio and a Music Player. You can play music from a TF card or USB flash drive, and you can record your voice via a wired microphone and save it to either TF card or USB flash drive. It is easy to use. Please read the instructions carefully before using this device.

Features:

1. 18650 lithium rechargeable battery driven PA system
2. Stylish, ergonomic and comfortable design
3. Intelligent real voice prompt
4. Special amplification electro-acoustic system
5. MP3 audio decoding --- supports TF Card & USB flash drive
6. FM stereo radio Receiver
7. Recording format: WAV; Music format: MP3

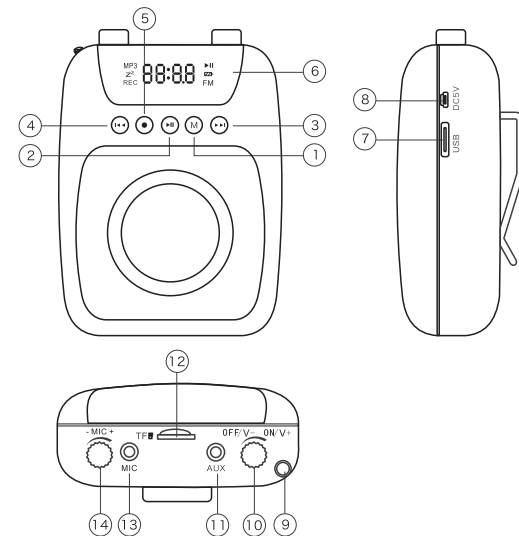
Specification:

- Charging voltage:5V/500mA
- FM Frequency:87.5-108MHz
- Output power:< 10W
- Frequency response:90Hz-18KHz
- Output Impedance:4Ω
- Work temperature:-10 C-45 C
- Charging time:3-5 hours
- Amplify time(50% volume):10-12 hours
- Music-play time(50% volume):8-10 hours

Packing List

Name	Quantity
Player	1
Charging cable	1
Microphone	1
Belt	1
User Manual	1

Function Illustration



- 1.Mode button
- 2.Play/Pause button
- 3.Next song
- 4.Previous song
- 5.Rec button
- 6.LCD display
- 7.USB port
- 8.Mini-USB Port (DC 5V)
- 9.Antenna
- 10.Power switch / volume control
- 11.Aux In port
- 12.TF card port
13. Microphone Jack
- 14.Mic volume control

Function Description

1. Mode button:

You can short press this mode button " M " to select a working mode (USB, TF, AUX or FM radio mode). When TF card and USB flash drive are both inserted, use the "M" Key to select which storage you want to play.

2.Play/Pause button:

A) Short Press: Short press "▶||" to pause, and press again to play the music under default mode.

B) Long Press: When in playing MP3 music, long press " M " over 1 second to enter Single music repeat mode, on the LCD it shows "ONE". Long Press the " M " over 1 second and you will see "ALL",it will repeat all the music in storage.

Note: when the system is restarted, it will be in All loop by default.

3.Next song:

Press "▶|1" to go to next music/frequency in music /FM mode.

4.Previous song:

Press "1◀" to go to previous music/frequency in music /FM mode.

5.Rec button:

Wired MIC recording: Make sure the USB flash disk or TF card is inserted and insert wired microphone. Short press " ● " key the screen shows "REC", and you can begin to record. Short press " ● " again to stop recording and the system will automatically play the recorded files. The recorded files will be saved automatically to the USB flash drive or TF card.

Play the recorded file: In music play mode long press and hold " ● " to play back the last recorded file, than the first one, second one...

Delete the recorded file: In recorded file play mode long press and hold " ● " to delete the current recorded file.

6.LCD display:

Display current working status.

7.USB port:

Insert the USB flash drive to play mp3, compatible with USB flash drive 32GB MAX.

Note: It may unreadable when the document is large or complex.

8.Mini-USB Port:

Use the charger with DC 5V output connect with Mini-USB cable to charge.

9.Antenna:

Extend the antenna, press "M" to the FM mode the LCD shows "FM"; then long press "▶|1" to enter into automatic channels searching; after searched successfully, the device will save the channels automatically. And please press "1◀" or "▶|1" to choose the saved channels.

10.Power switch / volume control:

Rotate this button to turn on/off the player or adjust the audio volume.

11.Aux In port:

Connect the speaker to other music player with AUX cable, play back your music through this fantastic speaker.

12.TF card port:

Insert the TF card to play mp3, compatible with TF card 32GB MAX.

Note: It may unreadable when the document is large or complex.

13. Microphone Jack:

Plug the wired microphone into the Ø3.5mm Microphone Jack, and the system will be in the amplification condition by default.

To avoid howling please do not point the microphone toward the speaker.

Note: This voice amplifier support sound amplification and music player at the same time. In the mode of sound amplification, short press "▶|1" to stop TF card read mode and the sound amplification effect will be better.

14.Mic volume control:

Control of the Mic's volume.

Trouble shooting:

1. Turn on the power switch, speaker to the MIC but the amplifier has no sound.

A. The LCD is not light: it's low battery and please charge the amplifier..

B. The LCD is light: please confirm that whether you have inserted the microphone in a wrong jack or not.

2. The voice amplifier has distinct howling.

A. Wear the microphones correctly: put the microphone in front of the mouth, the distance between microphone and amplifier should be kept 60-70CM;

B. In a small room, please turn down the volume properly to avoid howling.

RF ENERGY EXPOSURE AND PRODUCT SAFETY GUIDE



Before using this radio, read this guide which contains important operating instructions for safe usage and RF energy awareness and control for compliance with applicable standards and regulations.

This radio uses electromagnetic energy in the radio frequency (RF) spectrum to provide communications between two or more users over a distance.

RF energy, which when used improperly, can cause biological damage.

All Reteless radios are designed, manufactured, and tested to ensure they meet government-established RF exposure levels. In addition, manufacturers also recommend specific operating instructions to users of the radios. These instructions are important because they inform users about RF energy exposure and provide simple procedures on how to control it. Please refer to the following websites for more information on what RF energy exposure is and how to control your exposure to assure compliance with established RF exposure limits: <http://www.who.int/en/>

Local Government Regulations
When radios are used as a consequence of employment, the Local Government Regulations requires users to be fully aware of and able to control their exposure to meet occupational requirements. Exposure awareness can be facilitated by the use of a product label directing users to specific user awareness information. Your Reteless radio has a RF Exposure Product Label. Also, your Reteless user manual, or separate safety booklet includes information and operating instructions required to control your RF exposure and to satisfy compliance requirements.

Local Government Regulations

When radios are used as a consequence of employment, the Local Government Regulations requires users to be fully aware of and able to control their exposure to meet occupational requirements. Exposure awareness can be facilitated by the use of a product label directing users to specific user awareness information. Your Reteless radio has a RF Exposure Product Label. Also, your Reteless user manual, or separate safety booklet includes information and operating instructions required to control your RF exposure and to satisfy compliance requirements.

Radio License (if appropriate)

Governments keep the radios in classification, business radios operate on radio frequencies that are regulated by the local radio management departments (FCC, ISED, OFCOM, ANFR, BFTK, Bundesnetzagentur...). To transmit on these frequencies, you are required to have a license issued by them. The detailed classification and the use of your radios, please contact the local government radio management departments.

Use of this radio outside the country where it was intended to be distributed is subject to government regulations and may be prohibited.

Unauthorized modification and adjustment

Changes or modifications not expressly approved by the party responsible for compliance may void the user's authority granted by the local government radio management departments to operate this radio and should not be made. To comply with the corresponding requirements, transmitter adjustments should be made only by or under the supervision of a person certified as technically qualified to perform transmitter maintenance and repairs in the private land mobile and fixed services as certified by an organization representative of the user of those services.

Replacement of any transmitter component (crystal, semiconductor, etc.) not authorized by the local government radio management departments equipment authorization for this radio could violate the rules.

FCC Requirements:

- This device complies with part 15 of the FCC Rules. Operation is subject to the following two conditions:
 - (1) This device may not cause harmful interference, and
 - (2) this device must accept any interference received, including interference that may cause undesired operation.
- (If applicable) This equipment has been tested and found to comply with the limits for a Class B digital device, pursuant to Part 15 of the FCC Rules. These limits are designed to provide reasonable protection against harmful interference in a residential installation.

This equipment generates uses and can radiate radio frequency energy and, if not installed and used in accordance with the instructions, may cause harmful interference to radio communications. However, there is no guarantee that interference will not occur in a particular installation. If this equipment does cause harmful interference to radio or television reception, which can be determined by turning the equipment off and on, the user is encouraged to try to correct the interference by one or more of the following measures:

Guarantee

Model Number: _____
 Serial Number: _____
 Purchasing Date: _____
 Dealer: _____ Telephone: _____
 User's Name: _____ Telephone: _____
 Country: _____ Address: _____
 Post Code: _____ Email: _____

Remarks:
 1. This guarantee card should be kept by the user, no replament if lost.
 2. Most new products carry a two-year manufacturer's warranty from the date of purchase.
 3. The user can get warranty and after-sales service as below:
 • Contact the seller where you buy.
 • Products Repaired by Our Local Repair Center
 4. For warranty service, you will need to provide a receipt proof of purchase from the actual seller for verification.

Exclusions from Warranty Coverage:
 1. To any product damaged by accident.
 2. In the event of misuse or abuse of the product or as a result of unauthorized alterations or repairs.
 3. If the serial number has been altered, defaced, or removed.

- Risk of explosion if battery is replaced by an incorrect type. Dispose of used batteries according to the instructions.
- Adapter shall be installed near the equipment and shall be easily accessible.
- The plug considered as disconnect device of adapter.
- The operating temperature of the EUT can't exceed the specified range.

Approved Accessories

- This radio meets the RF exposure guidelines when used with the Retekeess accessories supplied or designated for the product. Use of other accessories may not ensure compliance with the RF exposure guidelines and may violate regulations.
- For a list of Retekeess-approved accessories for your radio model, visit the following website: <http://www.Retekess.com>

Note: Exposure to loud noises from any source for extended periods of time may temporarily or permanently affect your hearing. The louder the radio's volume, the less time is required before your hearing could be affected. Hearing damage from loud noise is sometimes undetectable at first and can have a cumulative effect.



Avoid Burns



- Antennas**
•Do not use any portable radio that has a damaged antenna. If a damaged antenna comes into contact with the skin when the radio is in use, a minor burn can result.
- Batteries (if appropriate)**
•When the conductive material such as jewelry, keys or chains touch exposed terminals of the batteries, may complete an electrical circuit (short circuit the battery) and become hot to cause bodily injury such as burns. Exercise care in handling any battery, particularly when placing it inside a pocket, purse or other container with metal objects.
- Long transmission**
•When the transceiver is used for long transmissions, the radiator and chassis will become hot.

Safety Operation



- Forbid**
•Do not use charger outdoors or in moist environments, use only in dry locations/conditions.
- Do not disassemble the charger, that may result in risk of electrical shock or fire.
- Do not operate the charger if it has been broken or damaged in any way.
- Do not place a portable radio in the area over an air bag or in the air bag deployment area. The radio may be propelled with great force and cause serious injury to occupants of the vehicle when the air bag inflates. **To reduce risk**
- Pull by the plug rather than the cord when disconnecting the charger.
- Unplug the charger from the AC outlet before attempting any maintenance or cleaning.
- Contact Retekeess for assistance regarding repairs and service.
- The adapter shall be installed near the equipment and shall be easily accessible.

RF Exposure Information (if appropriate)

- DO NOT operate the radio without a proper antenna attached, as this may damage the radio and may also cause you to exceed RF exposure limits. A proper antenna is the antenna supplied with this radio by the manufacturer or an antenna specifically authorized by the manufacturer for use with this radio, and the antenna gain shall not exceed the specified gain by the manufacturer declared.
- DO NOT transmit for more than 50% of total radio use time, more than 50% of the time can cause RF exposure compliance requirements to be exceeded.
- During transmissions, your radio generates RF energy that can possibly cause interference with other devices or systems. To avoid such interference, turn off the radio in areas where signs are posted to do so.
- The device complies with RF specifications when the device used at 5mm from your body. Third-party belt-clips, holsters, and similar accessories used by this device should not contain any metallic components. Body-worn accessories that do not meet these requirements may not comply with RF exposure requirements and should be avoided.
- DO NOT operate the transmitter in areas that are sensitive to electromagnetic radiation such as hospitals, aircraft, and blasting sites.

Avoid Choking Hazard



Small Parts. Not for children under 3 years.

Protect your hearing:



- Use the lowest volume necessary to do your job.
- Turn up the volume only if you are in noisy surroundings.
- Turn down the volume before adding headset or earpiece.
- Limit the amount of time you use headsets or earpieces at high volume.
- When using the radio without a headset or earpiece, do not place the radio's speaker directly against your ear
- Use careful with the earphone maybe possible excessive sound pressure from earphones and headphones can cause hearing loss.

- Reorient or relocate the receiving antenna.
- Increase the separation between the equipment and receiver.
- Connect the equipment into an outlet on a circuit different from that to which the receiver is connected.
- Consult the dealer or an experienced radio/TV technician for help.

CE Requirements:

•(Simple EU declaration of conformity) Henan Eshow Electronic Commerce Co.,Ltd declares that the radio equipment type is in compliance with the essential requirements and other relevant provisions of RED Directive 2014/53/EU and the ROHS Directive 2011/65/EU and the WEEE Directive 2012/19/EU; the full text of the EU declaration of conformity is available at the following internet address: www.retekess.com.
 •Disposal
 The crossed-out wheeled-bin symbol on your product, literature, or packaging reminds you that in the European Union, all electrical and electronic products, batteries, and accumulators (rechargeable batteries) must be taken to designated collection locations at the end of their working life. Do not dispose of these products as unsorted municipal waste. Dispose of them according to the laws in your area.



IC Requirements:

Licence-exempt radio apparatus
 This device contains licence-exempt transmitter(s)/receiver(s) that comply with Innovation, Science and Economic Development Canada's licence-exempt RSS(s). Operation is subject to the following two conditions:
 (1) This device may not cause interference.
 (2) This device must accept any interference, including interference that may cause undesired operation of the device.
 Le présent appareil est conforme aux CNR d'Industrie Canada applicables aux appareils radio exempts de licence. L'exploitation est autorisée aux deux conditions suivantes :
 (1) l'appareil ne doit pas produire de brouillage;
 (2) l'utilisateur de l'appareil doit accepter tout brouillage radioélectrique subi, même si le brouillage est susceptible d'en compromettre le fonctionnement.



Henan Eshow Electronic Commerce Co., Ltd

Add: 7/F, Sanjiang Building, No.170 Nanyang Road,
 Huiji District,Zhengzhou, Henan, China
 Facebook: [facebook.com/Retekess](https://www.facebook.com/Retekess)
 E-mail: support@retkekess.com
 Web: www.retekess.com



MADE IN CHINA

EU Importer:
 Name: Germany Retevis Technology GmbH
 Address: Uetzenacker 29,38176 wendeburg

说明书要求

尺寸：85*120mm

印刷：

黑白印刷

装订：

折页

纸张材质：

双胶纸

本页无需印刷